

Multi-Purpose Router Table Switch

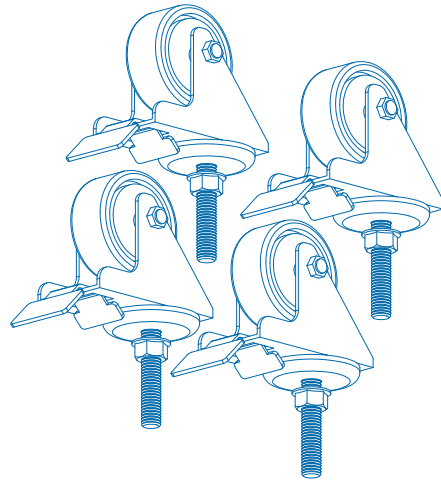
Item# PRS3100

INSTRUCTIONS



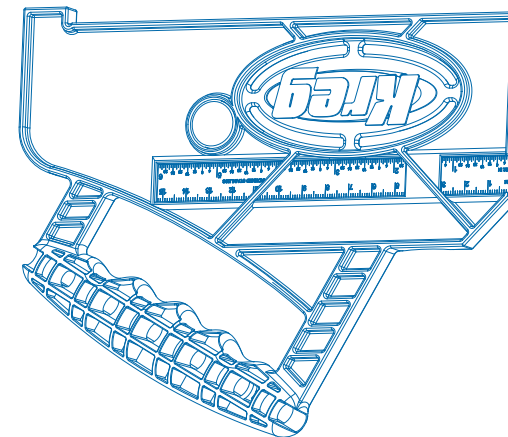
Add true mobility to your Universal Steel Stand with our Heavy-Duty Casters. Built to last and perform, these casters feature a dual locking mechanism that won't roll OR pivot once engaged, resulting in an extremely stable work station.

Kreg 3" Dual Locking Casters Item# PRS3090



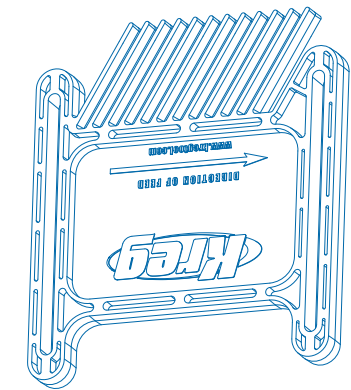
The Kreg Multi-Purpose Push Stick adds more than just safety to your workshop. With features such as a built-in storage magnet, pencil holder, and removable locking depth gauge, the Multi-Purpose Push Stick adds true speed and convenience to every cut you make!

Kreg Multi-Purpose Push Stick Item# KMA1000



The True-FLEX™ featherboard provides a consistent and optimum pressure, and will stand up to years of use in your workshop. Whether you're using a miter-slot or a t-slot, working on a table saw or a router table, the wedge-lock system adjusts accordingly and lets you work with confidence.

Kreg True-FLEX™ Featherboard Item# PRS3010



Other Kreg Products

Safety Guidelines

General Warnings

- Woodworking machines are dangerous, and can cause personal injury if not used properly.
- Read safety instructions and operating instructions for your machine completely, before using products. Using this system before understanding its safe and proper use could result in serious injury to the operator.
- Failure to follow these rules may result in serious personal injury.
- For your own safety, read the instruction manual before operating the tool. Learn the tool's application and limitations as well as the specific hazards distinctive to it.
- Keep all guards and safety devices in proper place while using these products.
- Always wear safety glasses.
- Keep hands well away from the rotating bit when operating the machine.
- Avoid awkward hand positions, where a sudden slip could cause contact with the rotating bit.
- As with all machinery, there are certain hazards involved with the operation and use of the machine. Using the machine with respect and caution will considerably lessen the possibility of personal injury. However, if normal safety precautions are overlooked or ignored, personal injury to the operator may result.
- This system was designed for certain applications only. Kreg strongly recommends that this system NOT be modified and/or used for any application other than for which it was designed. If you have any questions relative to its application, DO NOT use the machine until you have written, phoned, or e-mailed Kreg Tool and have been advised accordingly.
- Be aware of kickbacks. Kickbacks occur when the workpiece binds-up while being shaped, causing it to twist, jump, and possibly become airborne. To avoid kickbacks (and potential injury) always use sharp router bits, keep the machine aligned and maintained properly, and adequately secure/support the workpiece.
- Turn machine off before adjusting.

- Wait for the machine to stop. Make sure the bit comes to a complete stop before adjusting the workpiece or workpiece-angle.
- Ground electric machines. If your machine is equipped with a three-prong plug, it should be plugged into a three-hole electrical receptacle only. If the proper outlet is not available, have one installed by a qualified electrician before use. Never remove the third prong, and never modify the provided plug in any way.
- Don't operate in a dangerous or unclean environment. Don't use power tools in damp or wet locations, or expose them to rain. Keep work area well-lit, un-cluttered, and clean.
- Keep children and visitors away. All children and visitors should be kept a safe distance from the work area, and should not operate the machine under any condition.
- Make your workshop "child-proof". Use padlocks, master switches, or any other means necessary to make your work area safe for children.
- Use the right tool. Never "force" the tool to do work for which it was not intended. If used properly, the tool will produce better results in less time, under safer conditions.
- Wear proper apparel. No loose clothing, gloves, neckties, rings, bracelets, or any other jewelry that could possibly get caught in moving parts. Non-slip footwear is highly recommended, as is protective hair covering. Remember to always use safety glasses, specifically designed as safety wear.
- Secure the workpiece. Use clamps or a vise to hold work when it is practical and safe. Using the proper tool may allow you to free both hands for tool operation. Also, be sure to never overreach.
- Secure your tools. In the event of the machine tipping or sliding, it is always recommended to secure your tools to the machine, or in another safe location, during use.
- Keep the proper footing and balance. Ensure that you are in no danger of slipping or sliding once you turn the machine on. Once again, non-slip footwear is highly recommended.
- Maintain tools in top condition. Keep tools sharp, clean, and properly maintained for the highest quality and safest performance. Remember to properly follow all lubrication and accessory maintenance practices, as detailed in this Instruction Manual.

- Disconnect tool before servicing. When changing accessories such as bits, clamps, etc., making any sort of physical assessment of the tool, or when motor is being mounted/connected, remember to disconnect the machine from its power source. This will reduce the possibility of accidentally engaging the machine.
- Use recommended accessories only. Use of any additional accessories (add-ons) is strictly at your own risk. This machine was designed with only the use of Kreg certified parts in mind. Use of uncertified accessories may be hazardous.
- Avoid accidental starting. Make sure power switch is positioned at "OFF", and that key-Lok™ is removed, and that no one is located near the machine, before plugging in the power cord.
- Never stand on the machine. Serious injury could occur if the machine is tipped or if the cutting tool is contacted. Do not stand on top of the machine for any reason.
- Check for damaged parts. Before use of the machine, a careful assessment of all guards and other parts should be made to ensure that it will operate properly, and perform as intended. Check for alignment of moving parts, binding of moving parts, breakage of parts, mounting, and any other conditions that may affect its operation. A guard or other part that is damaged should be properly repaired or replaced as soon as possible, preceding any additional use. Do not use the machine if you are not qualified to make these sorts of assessments.
- Never leave a running machine unattended. Always turn the machine's power "OFF" after operation. Do not leave the tool until it comes to a complete stop.
- Drugs, alcohol, medication warning. Do not operate tool while under the influence of drugs, alcohol, or any medications.

Electrical Warnings

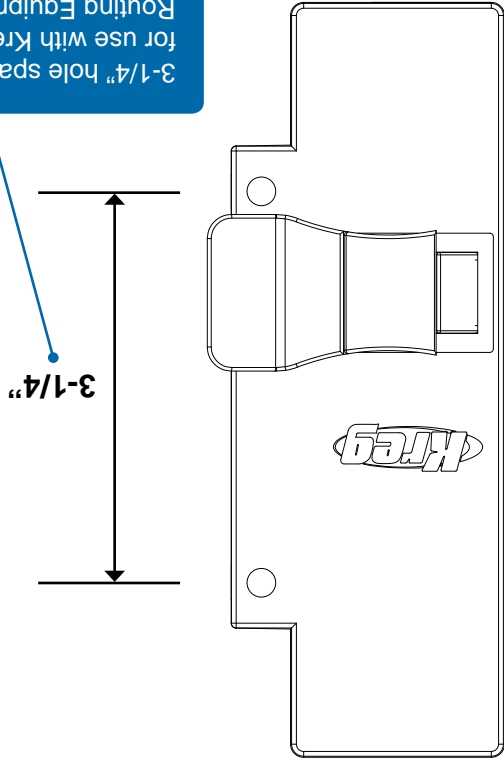
- Damaged or worn extension cords are not to be used and are to be replaced immediately.
- The extension cord must be plugged into a matching electrical receptacle that has been installed by a licensed electrician and grounded in accordance with all local codes and ordinances.
- DO NOT modify plug on the cord from the switch if it does not plug into an extension cord. Obtain an extension cord with the proper outlet.

- **WARNING! DO NOT PERMIT YOUR FINGERS TO TOUCH THE TERMINALS OF THE PLUG WHEN PLUGGING INTO OR REMOVING IT FROM AN ELECTRICAL OUTLET.**
- **WARNING! IF NOT PROPERLY GROUNDED, A POWER TOOL CAN PRESENT POTENTIAL HAZARDS OF ELECTRICAL SHOCK, WHICH CAN POSSIBLY RESULT IN SERIOUS BODILY INJURY OR DEATH, particularly in a damp environment, in proximity to plumbing, or out of doors. If an electrical shock occurs, there is always the potential of a secondary hazard, such as your hands contacting the router bit or falling down or against an object.**
- **WARNING! USE THE SWITCH ONLY WHEN IT IS PROPERLY INSTALLED ON YOUR ROUTER TABLE. USE ONLY WITH A ROUTER THAT HAS BEEN PROPERLY INSTALLED ON A PROPERLY ASSEMBLED AND MOUNTED ROUTER TABLE.**

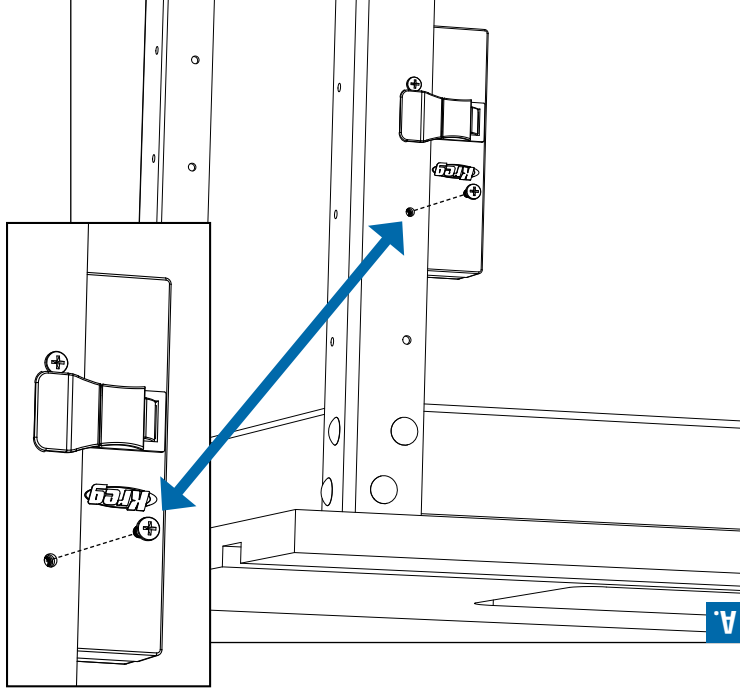
Router Table Warnings

- Follow the instructions in your router owner's manual.
- Vibrations, caused by the router during use, can cause fasteners to become loose. Before use and periodically during use, check all fasteners to make sure that all are tight and secure.
- Make sure that the router bit is properly positioned and secured in the router before making any cuts.
- Do not use the router table as a workbench or work surface. Doing so may damage it, causing it to be unsafe to use. A workbench should be used for this purpose.
- Keep hands clear of the router bits and work area.
- Make use of a push stick to move small workpieces across the cutting area.
- Always make sure that work surface of the router table is clean and free from dust, chips, and foreign particles that can interfere with the cut you are going to make. The use of a wet/dry vac or vacuum equipment is recommended.
- Never leave the router table unattended while the router is running. Turn the router off before leaving the router table for any reason.

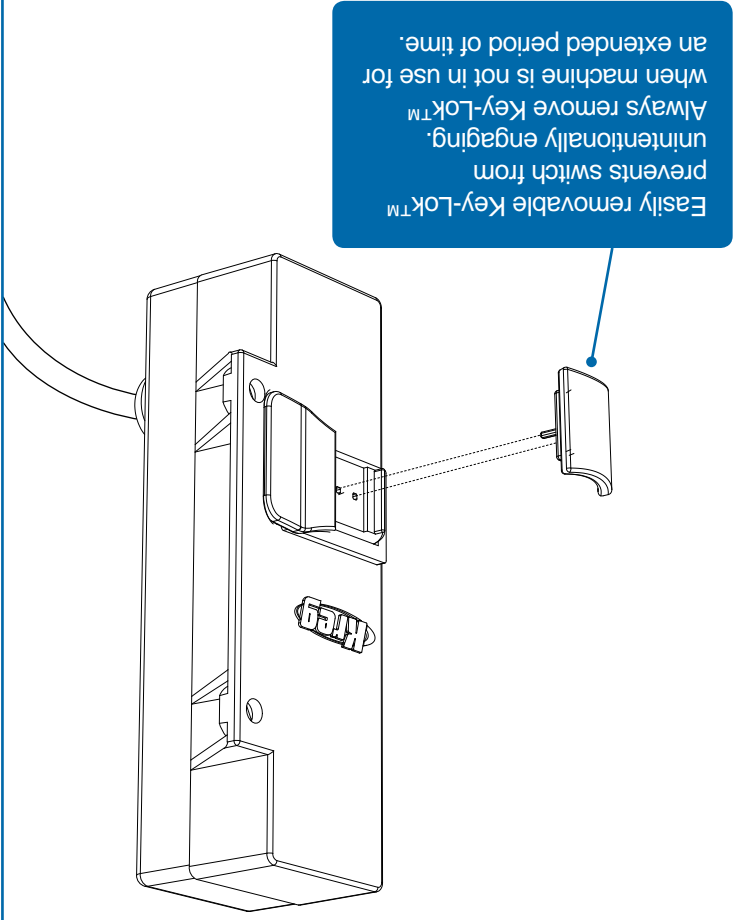
3-1/4" hole spacing designed for use with Kreg Precision Routing Equipment. Attach by inserting the included pan head screws and locking into place with included hex nuts.



Assembly & Operation



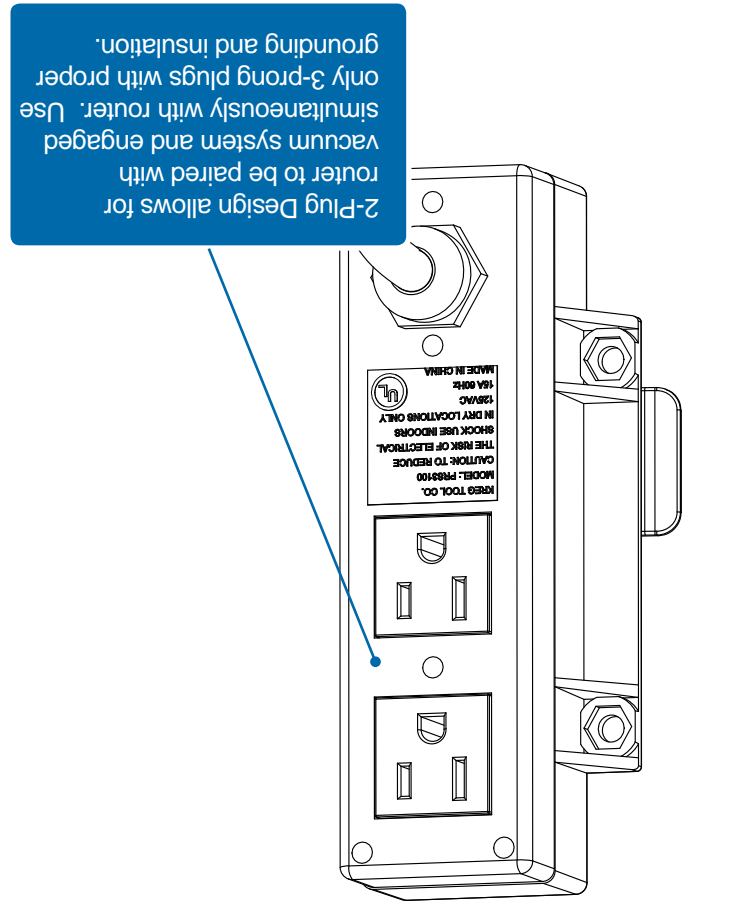
1. Make sure the switch and your router are disconnected from any electrical outlets or extension cords.
2. Locate the two (2) 10-32x1/2" Pan Head Screws and two (2) 10-32 Hex Nuts.



Easily removable Key-Lok™ prevents switch from unintentionally engaging. Always remove Key-Lok™ when machine is not in use for an extended period of time.

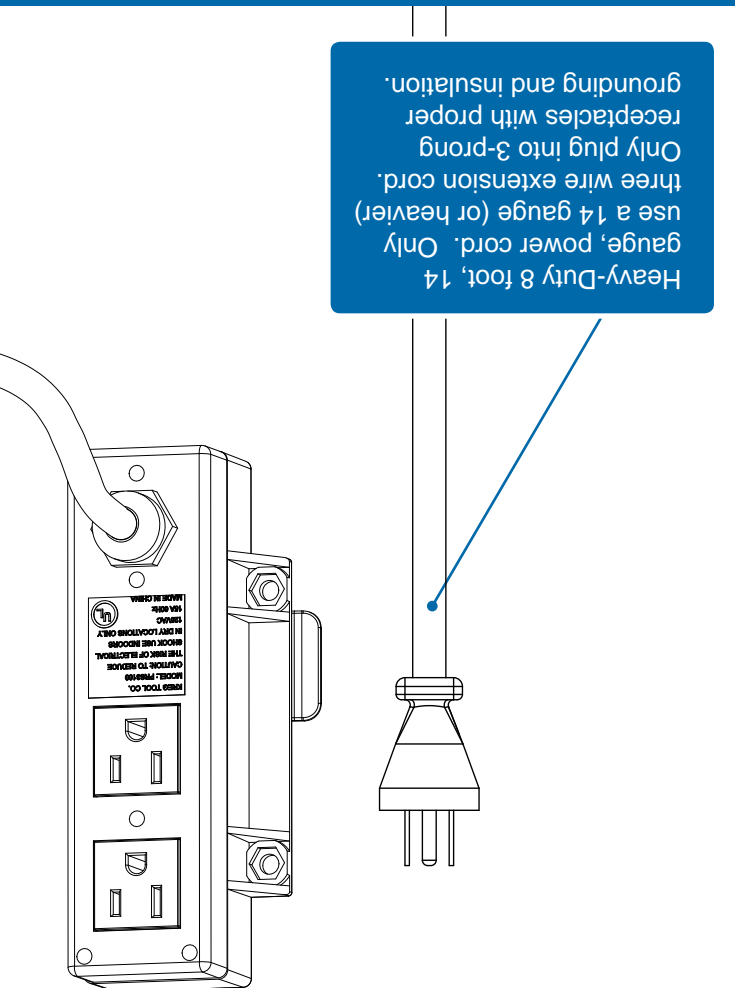
3. Position the Router Switch behind the Router Table's steel stand (as shown in Fig. A & B) and insert the two screws from the front side. Secure the screws in place by threading on the two hex nuts and tightening down.
4. If your router is attached to your router table, remove the bit and lower the collet assembly below the table-top.

5. Plug your router into one of the outlets on the back side of the switch and coil the excess cord, securing it together so it does not hang loose from the table. Do allow some slack however, so that the cord does not stretch.
6. If desired, you may also plug in an additional accessory (such as a vacuum) to the second outlet on the back side of the switch.
7. Ensure that the switch is turned to the "off position" (as shown in Fig. C).



2-Plug Design allows for router to be paired with vacuum system and engaged simultaneously with router. Use only 3-prong plugs with proper grounding and insulation.

8. Run the switch's power cord to your outlet or extension cord, being careful to coil and secure any excess length where possible. Do NOT plug it in. (Make sure the outlet you will be using has a three-prong setup which was professionally installed and has all proper grounding and insulation)
9. Make sure that the extension cord is not plugged into an electrical outlet.
10. Insert the Key-Lok™ fully until it 'snaps' into place. The switch should be in the "OFF Position."
11. Make sure that your router is set to the "OFF Position" as well.
12. Plug the power cord into the 3-prong wall outlet or extension cord.
13. Toggle your router to the "ON Position". The router should not engage since the switch is still set to the "OFF Position."
14. Verify that there are no foreign objects near the router opening and that the router is fully secured and prepared to run. If it is, you may test the switch by pulling the router switch into the "ON Position."



Heavy-Duty 8 foot, 14 gauge, power cord. Only use a 14 gauge (or heavier) three wire extension cord. Only plug into 3-prong receptacles with proper grounding and insulation.

15. The router switch is designed for quick "turn-off". To do so, use either your hand or your knee to depress the switch again into the "OFF Position".
16. When the router table is not in use, toggle the switch to the "OFF Position" and remove the Key-Lok™. Store the Key-Lok™ in a secure location where it is not available to children and unplugging the power cord from the wall.

(as shown in Fig. C)

NOTE: Some routers feature a special "LOCK-ON" type feature which will not permit the router to be activated by the switch. You may bypass this feature if your router manual allows it. If not, you will still be able to "SHUT OFF" the router with the switch.

