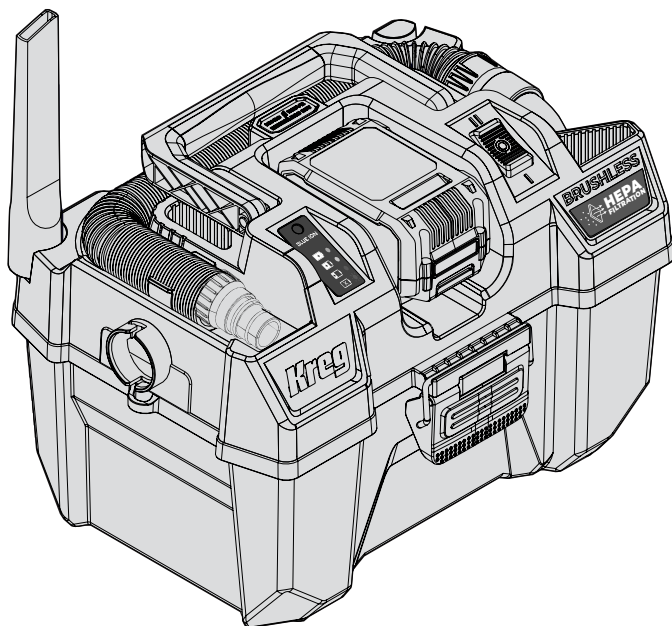


# OWNER'S MANUAL

**Kreg**<sup>®</sup>  
IONIC // DRIVE

## Kreg 20V Ionic Drive™ Wet/Dry Vac with HEPA

Manual applies to Item # KPTWDV0260



**WARNING** Every user must read and follow instructions and safety precautions in this manual. Failure to do so could result in serious injury. Save manual for future reference.

### **We're here to help.**

We want you to have an exceptional project building experience.

If you have questions or need support, please get in touch.

1-800-447-8638 | [technicalsupport@kregtool.com](mailto:technicalsupport@kregtool.com)

### **Tell us about your experience.**

Your opinion counts. And we're always looking for ways to improve.

Share your feedback so we can keep growing and innovating for you.

[www.kregtool.com/feedback](http://www.kregtool.com/feedback)

# Table of Contents

Intended Use . . . . .	2	Installing / Removing the Battery Pack . . .	13
Safety Precautions . . . . .	2	Operation . . . . .	14
General Safety Guidelines. . . . .	2	<b>Filter.</b> . . . .	<b>16</b>
Wet / Dry Vac Safety Warnings . . . . .	5	<b>Battery Charging</b> . . . . .	<b>16</b>
Batteries and Chargers Safety Guidelines	7	<b>Maintenance</b> . . . . .	<b>17</b>
Terms and Definitions . . . . .	9	<b>Care and Cleaning</b> . . . . .	<b>18</b>
Kreg® 20V Ionic Drive™ Wet/Dry Vac with		<b>Proper Battery Disposal</b> . . . . .	<b>18</b>
HEPA Specifications. . . . .	10	<b>Troubleshooting.</b> . . . .	<b>19</b>
Pre-Assembly . . . . .	10	<b>Warranty.</b> . . . .	<b>19</b>
Product Description . . . . .	11		
Assembly . . . . .	12		
Attaching / Removing the Crevice Tool . .	12		
Attaching / Removing the Wide Nozzle			
Tool . . . . .	12		
Setting Up as a Blower . . . . .	13		

## Intended Use

Kreg 20V Ionic Drive™ Wet/Dry Vac with HEPA is designed to perform as a wet/dry tool. The vacuum is for household use. It is recommended that the tank be emptied of any dry contents prior to being used for wet pick up to facilitate tank cleaning. DO NOT use in presence of flammable liquids or gases. DO NOT let children come into contact with the tool. Supervision is required when inexperienced operators use this appliance.

## Safety Precautions

### General Safety Guidelines

**WARNING** Read all safety warnings, instructions, illustrations, and specifications provided with this power tool. Failure to follow all instructions listed below may result in electric shock, fire, and/or serious injury.

**WARNING** This product can expose you to chemicals including Acrylonitrile and other chemicals, which are known to the State of California to cause cancer and reproductive harm. For more information go to [www.P65Warnings.ca.gov](http://www.P65Warnings.ca.gov).

**WARNING** Drilling, sawing, sanding, or machining wood products can expose you to wood dust, a substance known to the State of California to cause cancer. Avoid inhaling wood dust or use a dust mask or other safeguards for personal protection. For more information go to [www.P65Warnings.ca.gov/wood](http://www.P65Warnings.ca.gov/wood).

### SAVE ALL WARNINGS AND INSTRUCTIONS FOR FUTURE REFERENCE.

The term “power tool” in the warnings refers to your mains-operated (corded) power tool or battery-operated (cordless) power tool.

1. Work area safety
  - a. Keep work area clean and well lit. Cluttered or dark areas invite accidents.
  - b. Do not operate power tools in explosive atmospheres, such as in the presence of flammable liquids, gases, or dust. Power tools create sparks which may ignite the dust or fumes.
  - c. Keep children and bystanders away while operating a power tool. Distractions can cause you to lose control.
2. Electrical safety
  - a. Power tool plugs must match the outlet. Never modify the plug in any way. Do not use any adapter plugs with earthed (grounded) power tools. Unmodified plugs and matching outlets will reduce risk of electric shock.
  - b. Avoid body contact with earthed or grounded surfaces, such as pipes, radiators, ranges, and refrigerators. There is an increased risk of electric shock if your body is earthed or grounded.
  - c. Do not expose power tools to rain or wet conditions. Do not allow water to enter the motor as this will increase the risk of electric shock.
  - d. Do not abuse the cord. Never use the cord for carrying, pulling, or unplugging the power tool. Keep cord away from heat, oil, sharp edges, or moving parts. Damaged or entangled cords increase the risk of electric shock.
  - e. When operating a power tool outdoors, use an extension cord suitable for outdoor use. Use of a cord suitable for outdoor use reduces the risk of electric shock.
  - f. If operating a power tool in a damp location is unavoidable, use a ground fault circuit interrupter (GFCI) protected supply. Use of a GFCI reduces the risk of electric shock.
3. Personal safety
  - a. Stay alert, watch what you are doing, and use common sense when operating a power tool. Do not use a power tool while you are tired or under the influence of drugs, alcohol, or medication. A moment of inattention while operating power tools may result in serious personal injury.
  - b. Use personal protective equipment. Always wear eye protection. Protective equipment such as dust mask, nonskid safety shoes, hard hat, or hearing protection used for appropriate conditions will reduce personal injuries.
  - c. Prevent unintentional starting. Ensure the switch is in the off-position before connecting to power source and/or battery pack, picking up, or carrying the tool. Carrying power tools with your finger on the switch or energizing power tools that have the switch on invites accidents.
  - d. Do not overreach. Keep proper footing and balance at all times. This enables better control of the power tool in unexpected situations.
  - e. Dress properly. Do not wear loose clothing or jewelry. Keep your hair, clothing, and gloves away from moving parts. Loose clothes, jewelry, or long hair can be caught in moving parts.
  - f. If devices are provided for the connection of dust extraction and collection facilities, ensure these are connected and properly used. Use of dust collection can reduce dust-related hazards.
  - g. Do not let familiarity gained from frequent use of tools allow you to become complacent and ignore tool-safety principles. A careless action can cause severe injury within a fraction of a second.
4. Power tool use and care
  - a. Do not force the power tool. Use the correct power tool for your application. The correct power tool will do the job better and safer at the rate for which it was designed.
  - b. Do not use the power tool if the switch does not turn it on and off. Any power tool that cannot be controlled with the switch is dangerous and must be repaired.

- c. Disconnect the plug from the power source and/or remove the battery pack, if detachable, from the power tool before making any adjustments, changing accessories, or storing power tools. Such preventive safety measures reduce the risk of starting the power tool accidentally.
  - d. Store idle power tools out of the reach of children and do not allow persons unfamiliar with the power tool or these instructions to operate the power tool. Power tools are dangerous in the hands of untrained users.
  - e. Maintain power tools and accessories. Check for misalignment or binding of moving parts, breakage of parts, and any other condition that may affect the power tool operation. If damaged, have the power tool repaired before use. Many accidents are caused by poorly maintained power tools.
  - f. Use the power tool, accessories, tool bits, etc., in accordance with these instructions, taking into account the working conditions and the work to be performed. Use of the power tool for operations different from those intended could result in a hazardous situation.
  - g. Keep handles and grasping surfaces dry, clean, and free from oil and grease. Slippery handles and grasping surfaces do not allow for safe handling and control of the tool in unexpected situations.
5. Battery tool use and care
- a. Recharge only with the charger specified by the manufacturer. A charger that is suitable of one type of battery pack may create a risk of fire when used with another battery pack.
  - b. Use power tools only with specifically designated battery packs. Use of any other battery packs may create a risk of injury and fire.
  - c. When battery pack is not in use, keep it away from other metal objects, like paper clips, coins, keys, nails, screws, or other small metal objects that can make a connection from one terminal to another.
  - d. Under abusive conditions, liquid may be ejected from the battery; avoid contact. If contact accidentally occurs, flush with water. If liquid contacts eyes; additionally seek medical help. Liquid ejected from the battery may cause irritation or burns.
  - e. Do not use a battery pack or tool that is damaged or modified. Damaged or modified batteries may exhibit unpredictable behavior resulting in fire, explosion, or risk of injury.
  - f. Do not expose a battery pack or tool to fire or excessive temperature. Exposure to fire or temperature above 265°F (130°C) may cause explosion.
  - g. Follow all charging instructions and do not charge the battery pack or tool outside the temperature range specified in the instructions. Charging improperly or at temperatures outside the specified range may damage the battery and increase the risk of fire.
6. Service
- a. Have your power tool serviced by a qualified repair person using only identical replacement parts. This will ensure that the safety of the power tool is maintained.
  - b. Never service damaged battery packs. Service of battery packs should only be performed by the manufacturer or authorized service providers.

## Wet / Dry Vac Safety Warnings

### Safety Instructions for All Operations

- Do not leave the vacuum when connected to power source. Remove the battery pack when not in use and before servicing.
- Do not allow vacuum to be used as a toy. Close attention is necessary when used by or near children.
- Use this appliance ONLY as described in the manual. Use only Kreg recommended attachments.
- Do not use this appliance if it is showing signs of malfunction in anyway. If the appliance is not working correctly, has been dropped, damaged, left outdoors, or dropped into water, call Kreg Customer Experience.
- Do not handle the appliance with wet hands.
- Do not put any object into openings. Do not use with any opening blocked; keep free of dust, lint, hair, and anything that may reduce air flow.
- Keep hair, loose clothing, fingers, and all parts of body away from openings and moving parts.
- Do not place outlet of vacuum near eyes or ears when operating.
- Remove all hard objects from work area. Do not blow debris in the direction of people, animals, or property.
- The blower operation can result in foreign objects being blown into eyes, which can result in eye damage. Always wear safety goggles when using the blower feature.
- Use only accessories provided. Keep guards in place and in working order.
- Use extra care when cleaning on stairs.
- Do not use without filter in place.
- Do not use to pick up flammable or combustible liquids, such as gasoline, or use in areas where they may be present.
- Do not pick up anything that is burning or smoking, such as cigarettes, matches, or hot ashes.
- Do not use in areas where explosive vapors may be present.
- Do not use to pick up explosive dust, or in areas where air contains explosive dust such as coal, grain, or other combustible material.
- Static shocks are possible in dry areas or when the relative humidity of the air is low. This is only temporary and does not affect the use of the vacuum. To reduce the frequency of static shocks, add moisture to the air with a console or installed humidifier.
- To avoid spontaneous combustion, empty canister after each use.
- Store idle tools. When not in use, the vacuum should be stored in a dry, high or locked up place—out of the reach of children.
- Never leave vacuum running unattended. Turn power off.
- Turn off all controls before removing the battery pack.
- Maintain labels and nameplates on the appliance. These carry important safety information. If unreadable or missing, contact Kreg Customer Experience for a replacement.

## Additional Safety Instructions

**WARNING** ALWAYS use safety glasses. Everyday eyeglasses are NOT safety glasses. Also use face or dust mask if cutting operation is dusty. ALWAYS WEAR CERTIFIED SAFETY EQUIPMENT:

- ANSI Z87.1 eye protection (CAN/CSA Z94.3),
- ANSI S12.6 (S3.19) hearing protection,
- NIOSH/OSHA/MSHA respiratory protection.

**WARNING** Some dust created by power sanding, sawing, grinding, drilling, and other construction activities contains chemicals known to the State of California to cause cancer, birth defects or other reproductive harm. Some examples of these chemicals are:

- lead from lead-based paints,
- crystalline silica from bricks and cement and other masonry products, and
- arsenic and chromium from chemically-treated lumber.

Your risk from these exposures varies, depending on how often you do this type of work. To reduce your exposure to these chemicals: work in a well ventilated area, and work with approved safety equipment, such as those dust masks that are specially designed to filter out microscopic particles.

- Avoid prolonged contact with dust from power sanding, sawing, grinding, drilling, and other construction activities. Wear protective clothing and wash exposed areas with soap and water. Allowing dust to get into your mouth, eyes, or lay on the skin may promote absorption of harmful chemicals.

**WARNING** Use of this tool can generate and/or disperse dust, which may cause serious and permanent respiratory or other injury. Always use NIOSH/OSHA approved respiratory protection appropriate for the dust exposure. Direct particles away from face and body.

**WARNING** Always wear proper personal hearing protection that conforms to ANSI S12.6 (S3.19) during use. Under some conditions and duration of use, noise from this product may contribute to hearing loss.

**CAUTION** When not in use, place tool on its side on a stable surface where it will not cause a tripping or falling hazard. Some tools with large battery packs will stand upright on the battery pack but may be easily knocked over.

- Do not use wet/dry vacuum as a step ladder.
- Do not place heavy objects on wet/dry vacuum.
- Air vents often cover moving parts and should be avoided. Loose clothes, jewelry, or long hair can be caught in moving parts.
- Know your power tool. Read operator's manual carefully. Learn its applications and limitations, as well as the specific potential hazards related to this power tool. Following this rule will reduce the risk of electric shock, fire, or serious injury.
- Always wear eye protection with side shields marked to comply with ANSI Z87.1 when assembling parts, operating the tool, or performing maintenance. Following this rule will reduce the risk of serious personal injury.
- Protect your lungs. Wear a face or dust mask if the operation is dusty. Following this rule will reduce the risk of serious personal injury.
- Protect your hearing. Wear hearing protection during extended periods of operation. Following this rule will reduce the risk of serious personal injury.
- Battery tools do not have to be plugged into an electrical outlet; therefore, they are always in operating condition. Be aware of possible hazards when not using your battery tool or when changing accessories. Following this rule will reduce the risk of electric shock, fire, or serious personal injury.

- Do not place battery tools or their batteries near fire or heat. This will reduce the risk of explosion and possibly injury.
- Do not crush, drop, or damage the battery pack. Do not use a battery pack or charger that has been dropped or received a sharp blow. A damaged battery is subject to explosion. Properly dispose of a dropped or damaged battery immediately.
- Batteries can explode in the presence of a source of ignition, such as a pilot light. To reduce the risk of serious personal injury, never use any cordless product in the presence of open flame. An exploded battery can propel debris and chemicals. If exposed, flush with water immediately.
- Do not charge battery tool in a damp or wet location. Do not use, store, or charge battery packs or products in locations where the temperature is less than 50°F (10°C) or more than 104°F (40°C). Do not store outside or in vehicles.
- Under extreme usage or temperature conditions, battery leakage may occur. If liquid comes in contact with your skin, wash immediately with soap and water. If liquid gets into your eyes, flush them with clean water for at least 10 minutes, then seek immediate medical attention. Following this rule will reduce the risk of serious personal injury.
- Save these instructions. Refer to them frequently and use them to instruct others who may use this tool. If you loan someone this tool, loan them these instructions also.

## Batteries and Chargers Safety Guidelines

The battery pack is not fully charged out of the carton. Before using the battery pack and charger, read the safety instructions below and then follow charging procedures outlined.

When ordering replacement battery packs, be sure to include the model number and voltage found on battery pack.

### READ ALL INSTRUCTIONS

#### Important Safety Instructions for All Battery Packs

**WARNING** Read all safety warnings, instructions, and cautionary markings for the battery pack, charger, and product. Failure to follow the warnings and instructions may result in electric shock, fire, and/or serious injury.

- Do not charge or use the battery pack in explosive atmospheres, such as in the presence of flammable liquids, gases, or dust. Inserting or removing the battery pack from the charger may ignite the dust or fumes.
- NEVER force the battery pack into the charger. DO NOT modify the battery pack in any way to fit into a non-compatible charger as battery pack may rupture causing serious personal injury.
- Charge the battery packs only in Kreg chargers.
- DO NOT splash or immerse in water or other liquids.
- DO NOT allow water or any liquid to enter the battery pack.
- Do not store or use the tool and battery pack in locations where the temperature may reach or exceed 104°F (40°C) (such as outside sheds or metal buildings in summer). For best life, store battery packs in a cool, dry location.

**Note** Do not store the battery packs in a tool with the trigger switch locked on. Never tape the trigger switch in the ON position.

- Do not incinerate the battery pack even if it is severely damaged or is completely worn out. The battery pack can explode in a fire. Toxic fumes and materials are created when lithium-ion battery packs are burned.

- Do not expose a battery pack or appliance to fire or excessive temperature. Exposure to fire or temperature above 265°F (130°C) may cause explosion.
- Follow all charging instructions and do not charge the battery pack or appliance outside of the temperature range specified in the instructions. Charging improperly or at temperatures outside of the specified range may damage the battery and increase the risk of fire.
- If battery contents come into contact with the skin, immediately wash area with mild soap and water. If battery liquid gets into the eye, rinse water over the open eye for 15 minutes or until irritation ceases. If medical attention is needed, the battery electrolyte is composed of a mixture of liquid organic carbonates and lithium salts.
- Contents of opened battery cells may cause respiratory irritation. Provide fresh air. If symptoms persist, seek medical attention.
- Battery liquid may be flammable if exposed to spark or flame.
- Never attempt to open the battery pack for any reason. If the battery pack case is cracked or damaged, do not insert into the charger. Do not crush, drop, or damage the battery pack. Do not use a battery pack or charger that has received a sharp blow, been dropped, run over, or damaged in any way (e.g., pierced with a nail, hit with a hammer, stepped on). Damaged or modified batteries may exhibit unpredictable behavior resulting in fire, explosion, or risk of injury. Damaged battery packs should be returned to the service center for recycling.

## Storage Recommendations

The best storage place is one that is cool and dry, away from direct sunlight and excess heat or cold. Store the fully charged battery pack out of the charger.

## Battery Pack Cleaning Instructions

Dirt and grease may be removed from the exterior of the battery pack using a cloth or soft non-metallic brush. Do not use water or any cleaning solutions.

### *Blue Ion™ Battery Packs*

Some battery packs include a charge indicator. When the charge indicator button is pressed and held, the LED lights will indicate the approximate level of charge remaining. This does not indicate tool functionality and is subject to variation based on product components, temperature, and end-user application.

## Transportation

**WARNING** Fire hazard. Do not store, carry, or transport the battery pack so that metal objects can contact exposed battery terminals. For example, do not place the battery pack in aprons, pockets, tool boxes, product kit boxes, drawers, etc., with loose nails, screws, keys, coins, hand tools, etc. When transporting individual battery packs, make sure that the battery terminals are protected and well insulated from materials that could contact them and cause a short circuit.

**Note** Li-ion battery packs should not be put in checked baggage on airplanes and must be properly protected from short circuits if they are in carry-on baggage.

## Important Safety Instructions for All Battery Chargers







**WARNING** Read all safety warnings, instructions, and cautionary markings for the battery pack, charger, and product. Failure to follow the warnings and instructions may result in electric shock, fire, and/or serious injury.




- DO NOT attempt to charge the battery pack with any chargers other than a Kreg charger. Kreg chargers and battery packs are specifically designed to work together.

- These chargers are not intended for any uses other than charging Kreg rechargeable battery packs. Charging other types of battery packs may cause them to overheat and burst, resulting in personal injury, property damage, fire, electric shock, or electrocution.
- Do not expose the charger to rain or snow.
- Do not allow water or any liquid to enter charger.
- Pull by the plug rather than the cord when disconnecting the charger. This will reduce the risk of damage to the electric plug and cord.
- Make sure that the cord is located so that it will not be stepped on, tripped over, or otherwise subjected to damage or stress.
- Do not use an extension cord unless it is absolutely necessary. Use of improper extension cord could result in risk of fire, electric shock, or electrocution.
- When operating a charger outdoors, always provide a dry location and use an extension cord suitable for outdoor use. Use of a cord suitable for outdoor use reduces the risk of electric shock.
- Do not disassemble the charger; contact Kreg Customer Experience when service or repair is required. Incorrect reassembly may result in a risk of electric shock, electrocution, or fire.
- The charger is designed to operate on standard 120V household electrical power. Do not attempt to use it on any other voltage.
- Foreign materials of a conductive nature, such as, but not limited to, grinding dust, metal chips, steel wool, aluminum foil, or any buildup of metallic particles, should be kept away from the charger cavities and ventilation slots.
- Always unplug the charger from the power supply when there is no battery pack in the cavity.

## Terms and Definitions

The label on the wet/dry vac may include the symbols below. The symbols and their definitions are as follows:

	Safety alert symbol
V	Volts
Hz	Hertz
A	Amperes
W	Watts
	Direct current
	Alternating current
	Alternating or direct current
	Class I construction (grounded)
	Class II tool (double insulated)

	Earthing terminal
min	Minutes
/min	Revolutions or reciprocations per minute
BPM	Beats per minute
RPM	Revolutions per minute
$n_0$	No load speed
	Read the instructions
	Wear eye and ear protection

# Kreg® 20V Ionic Drive™ Wet / Dry Vac with HEPA Specifications

ETL Listing: KPTWDV0260

20V Max DC

This product is designed to work with all Kreg® Ionic Drive Chargers and Kreg Blue Ion™ Batteries, including:

Kreg 20V Blue Ion Li-Ion Batteries	Kreg 20V Ionic Drive Chargers
BATT20 – 2Ah Battery	CRGR2010 – 2A Standard Charger
BATT40 – 4Ah Battery	CRGR4010 – 4A Fast Charger
BATT60 – 6Ah Battery	CRGR8010 – 8A Super Charger
BATT80 – 8Ah Battery	CRGR4020 – Dual Port Fast Charger

## Guidelines for Extension Cord Use

Extension cords are only to be used for temporary purposes. They do not replace the need for installation of outlets and proper wiring where necessary.

In your work area:

1. Extension cords with an equipment grounding conductor must be used at all times.
2. Extension cords must be protected from damage, and not run through doorways or windows where the doors or windows can close, causing damage to the cord.
3. Extension cords must be a minimum of 16 AWG and be rated for the equipment in use.
4. Extension cords must be periodically inspected to ensure that the insulation and conductivity of the wires are not compromised.
5. Extension cords should not be run through water or allowed to have connections that may be exposed to accumulated water.

Nameplate Amperes @ 120 V	Extension Cord Length					
	25'	50'	75'	100'	150'	200'
	Recommended Wire Gauge					
0 – 5	16	16	16	14	12	12
5.1 – 8	16	16	14	12	10	NR
8.1 – 12	14	14	12	10	NR	NR
12.1 – 16	12	12	NR	NR	NR	NR

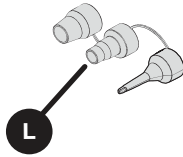
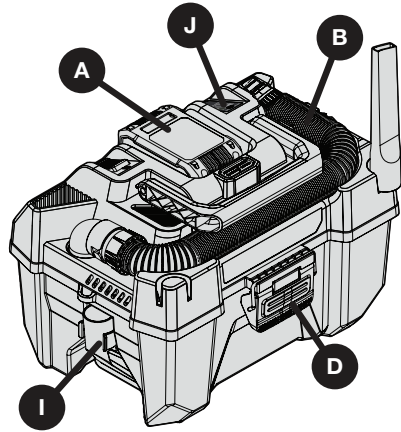
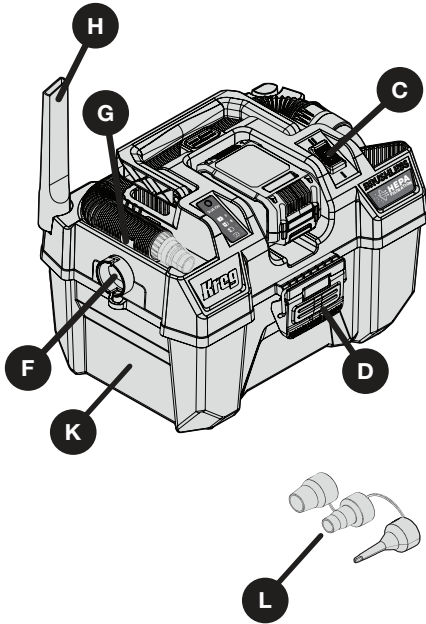
NR – Not Recommended

## Pre-Assembly

**WARNING** Read the ENTIRE IMPORTANT SAFETY INFORMATION section at the beginning of this manual including all text under subheadings therein before setup or use of this product.

Review this section before you begin. Ensure you have all tools/materials on hand and compare the package with the items listed in the Product Description section. If any item appears missing or lost, do not use this product. Contact Kreg Customer Experience or return product to place of purchase.

## Product Description



Part	Description
A	Battery Pack
B	Vacuum Hose
C	On/Off Button
D	Tank Latches (2; one on each side)
E	Filter (not shown)
F	Side Exhaust Port

Part	Description
G	Hose Clip
H	Crevice Tool
I	Wide Nozzle Tool
J	Battery Level Indicator
K	Canister
L	Inflator Nozzle Set

### Battery Level

	75–100% charged
	51–74% charged
	26–50% charged
	<25% charged
	Pack needs to be charged

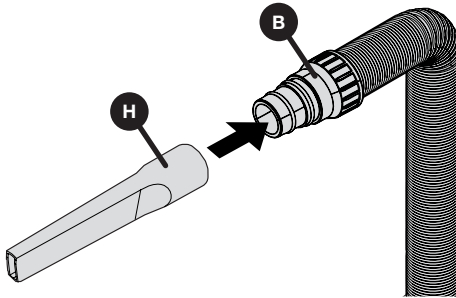
# Assembly

**WARNING** To reduce the risk of serious personal injury, turn unit off and remove the Battery Pack (A) before making any adjustments or removing/installing attachments or accessories. An accidental start-up can cause injury.

## Attaching / Removing the Crevice Tool

Install the Crevice Tool (H) to facilitate reaching into small, hard to reach areas.

1. Insert the wide end of the Crevice Tool (H) into the Vacuum Hose (B) until it is firmly seated.



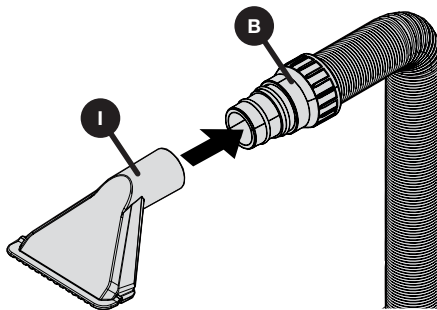
2. Ensure that the Crevice Tool (H) does not disengage.

**Note** Follow these instructions in reverse to remove the Crevice Tool (H).

## Attaching / Removing the Wide Nozzle Tool

Install the Wide Nozzle Tool (I) to facilitate vacuuming a larger area.

1. Insert the narrow end of the Wide Nozzle Tool (I) into the Vacuum Hose (B) until it is firmly seated.

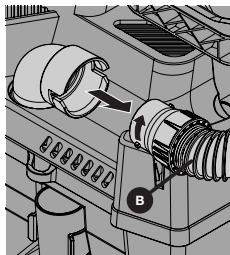


2. Ensure that the Wide Nozzle Tool (I) does not disengage.

**Note** Follow these instructions in reverse to remove the Wide Nozzle Tool (I).

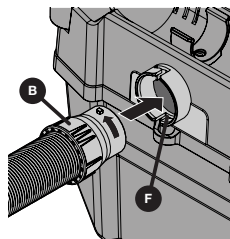
## Setting Up as a Blower

1. Remove the Vacuum Hose (B) from the inlet by twisting the Vacuum Hose (B) clockwise until separated.



2. Attach the Vacuum Hose (B) to the Side Exhaust Port (F) by inserting the Vacuum Hose (B) into the Side Exhaust Port (F) and twist counterclockwise until secure.

**Note** Follow these instructions in reverse to set up as a vacuum.



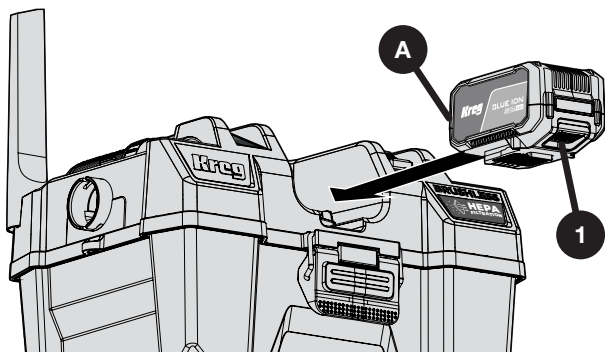
## Installing / Removing the Battery Pack

**WARNING** Ensure the tool is in the OFF position before inserting the Battery Pack (A).

**WARNING** This tool is for use only with Kreg Blue Ion™ battery packs.

**Note** For best results, make sure your Battery Pack (A) is fully charged.

1. To install the Battery Pack (A), align the Battery Pack (A) with the rails inside the tool's handle and slide it toward the handle until the Battery Pack (A) is firmly seated in the tool. Ensure that it does not disengage.



2. To remove the battery pack from the tool, press the Battery Pack Release Button (1) and firmly pull the Battery Pack (A) out of the tool. Insert the battery into the charger as described in **Battery Charging** on page 16.

# Operation

**WARNING** To reduce the risk of serious personal injury, turn unit off and remove the Battery Pack (A) before making any adjustments or removing/installing attachments or accessories. An accidental start-up can cause injury.

**WARNING** To prevent serious injury from flying debris: wear long pants, long sleeves, and protective footwear. Wear ANSI-approved safety goggles, dust mask, hearing protectors, and gloves.

**WARNING** To avoid serious injury and property damage: inspect the area before using the blower. Remove all hard objects from work area. Do not blow debris in the direction of people, animals, or property. Use both hands when operating the blower.

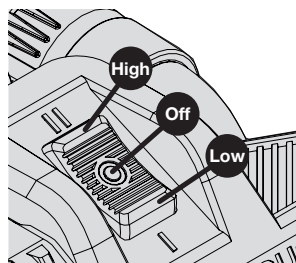
**CAUTION** The Vacuum Hose (B) helps prevent contact with internal moving parts. To prevent injury, do not use the tool without the Vacuum Hose (B) attached.

**NOTE** Rake or sweep to loosen debris if necessary.

## On/Off Settings

The On/Off Button (C) has three toggle settings:

- Low (I) - Toggle the switch to the down position.
- High (II) - Toggle the switch to the up position
- Off (O) - Toggle the switch to the middle position.



## To Operate as a Dry Vacuum

**NOTE** Before using as a dry vacuum, ensure the Filter (E) is properly installed as described in the **To Clean or Change the Filter** section. To be effective in minimizing dust recirculation and ensure maximum life of this product, the Filter (E) must be installed correctly and in good condition.

1. Assemble the wet/dry vac in the desired configuration according to the **Assembly** instructions on page 12.
2. Make sure that the On/Off Button (C) is in the OFF position, then insert the Battery Pack (A) as described in **Installing / Removing the Battery Pack** on page 13.
3. Hold the tool with both hands, with the Vacuum Hose (B) close to the ground.
4. Adjust the On/Off Button (C) to the desired setting, HIGH or LOW.
5. Vacuum the area as needed.
6. Turn the On/Off Button (C) to the OFF position when done.
7. When finished, do the following to prevent accidents:
  - Remove the Battery Pack (A).
  - Wipe the external surfaces of the wet/dry vac with a clean cloth, then store in a dry, indoor area out of reach of children.
  - Empty the Canister (K) as described in **To Empty the Canister** on page 15.

## To Operate as a Wet Vacuum

**WARNING** When vacuuming liquid, make sure the Canister (K) or Battery Pack (A) does not get submerged or doused in liquid. This could cause shock, vacuum failure, or personal injury.

**WARNING** To reduce the risk of electric shock, ensure the float is installed before wet vacuuming. The wet/dry vacuum includes a water float that is designed to shut off the suction when the vacuum reaches maximum capacity during wet vacuuming. When the Canister (K) is full, turn the wet/dry vac OFF and empty the Canister (K) as described in **To Empty the Canister** below.

1. Remove the Filter (E) and clean out the Canister (K) as described in **To Clean or Change the Filter** on page 16 and **To Empty the Canister** below.
2. Complete the steps in **To Operate as a Dry Vacuum** on page 14.

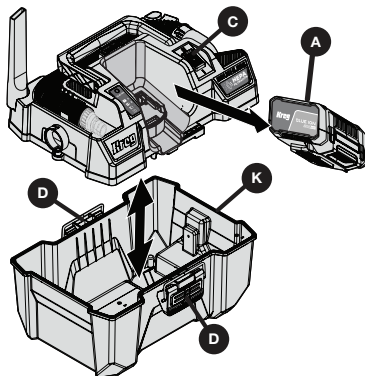
## To Operate as a Blower

**NOTE** This product comes with a 3-in-1 Inflator Nozzle Set (L) for filling air mattresses and other inflatables. Refer to the respective manufacturer's recommendations to see if filling with this vacuum blower is appropriate for the application. Do not over-inflate.

1. Assemble the wet/dry vac for blower functionality according to the **Setting Up as a Blower** instructions on page 13.
2. Make sure that the On/Off Button (C) is in the OFF position, then insert the Battery Pack (A) as described in **Installing / Removing the Battery Pack** on page 13.
3. Hold the tool with both hands, with the Vacuum Hose (B) several inches off the ground.
4. Adjust the On/Off Button (C) to the desired setting, HIGH or LOW.
5. Sweep the Vacuum Hose (B) from side to side.
6. Turn the On/Off Button (C) to the OFF position when done.
7. When finished, do the following to prevent accidents:
  - Remove the Battery Pack (A).
  - Wipe the external surfaces of the wet/dry vac with a clean cloth, then store in a dry, indoor area out of reach of children.

## To Empty the Canister

1. Turn the On/Off Button (C) to the OFF position and remove the Battery Pack (A).
2. Unlatch the Tank Latches (D) and remove the top part of the unit.
3. Carefully empty the contents of the Canister (K) into a waste receptacle.



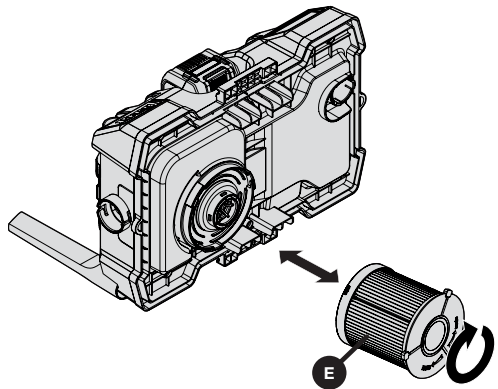
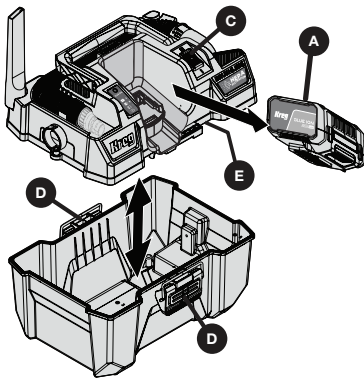
## Filter

The wet/dry Filter (E) included with this vacuum is a long life filter. To be effective in minimizing dust recirculation, the Filter (E) **MUST** be installed correctly and in good condition.

**Note** Never operate as a dry vacuum without a Filter (E) in place. A clean Filter (E) is the most important factor in the operation and efficiency of a dry vacuum. If the filter becomes clogged beyond cleaning, damaged, or fails to operate properly, replace only with genuine Kreg replacement filters.

### To Clean or Change the Filter

1. Turn the On/Off Button (C) to the OFF position and remove the Battery Pack (A).
2. Unlatch the Tank Latches (D) and remove the top part of the unit.
3. Twist the Filter (E) clockwise to remove it.



4. Clean the Filter (E) by shaking the unit to remove excess dust or tapping into a waste receptacle. **DO NOT** use a brush to clean the Filter (E).
5. Reinstall and secure the Filter (E) by twisting it counterclockwise.
6. Replace the top part of the unit and secure the Tank Latches (D).

## Battery Charging

**WARNING** The charger is designed to operate on standard 120V household electrical power. Do not attempt to use it on any other voltage.





**WARNING** Always unplug the charger from the power supply when there is no battery pack in the cavity.

1. Plug the charger into an appropriate outlet.
2. Insert and fully seat the Battery Pack (A). The green charging light(s) will continuously blink while charging.
3. Charging is complete when the green charging light(s) remain(s) continuously ON.
4. Charger will not charge a faulty Battery Pack (A), which may be indicated by the charging light(s) staying OFF. Contact Kreg Customer Experience if light(s) on the charger and Battery Pack (A) stay(s) OFF.

**Note** Refer to the label near the charging light(s) on the charger for blink patterns.

**Note** To remove the Battery Pack (A), some chargers require the Battery Pack Release Button to be pressed. See **Installing / Removing the Battery Pack** on page 13.

### Battery Charger Indicator Lights

	Fully charged		Faulty battery pack
	Charging		Hot/cold pack delay

### Hot/Cold Pack Delay

When the charger detects a Battery Pack (A) that is too hot or too cold, it automatically starts a Hot/Cold Pack Delay, suspending charging until the Battery Pack (A) has reached an appropriate temperature between 50°F–104°F (10°C–40°C). The charger then automatically switches to the pack charging mode. This feature ensures maximum Battery Pack (A) life. A cold Battery Pack (A) may charge at a slower rate than a warm Battery Pack (A).

The Hot/Cold Pack Delay will be indicated by the red light(s) continuing to blink. Once the Battery Pack (A) has reached an appropriate temperature, the red light will turn OFF, and the charger will resume the charging procedure.

### Important Charging Notes

- Longest life and best performance can be obtained if the Battery Pack (A) is charged when the air temperature is between 65°F–75°F (18°C– 24°C). DO NOT charge when the Battery Pack (A) is below +50°F (+10°C), or above +104°F (+40°C).
- The charger and Battery Pack (A) may become warm to the touch while charging. This is normal and does not indicate a problem.
- You may charge a partially used Battery Pack (A) whenever you desire with no adverse effect on the Battery Pack (A).

## Maintenance

**WARNING** To reduce the risk of serious personal injury, turn unit off, and remove the Battery Pack (A) before making any adjustments or removing/installing attachments or accessories. An accidental start-up can cause injury.

Your power tool has been designed to operate over a long period of time with a minimum of maintenance. Continuous satisfactory operation depends upon proper tool care and regular cleaning.

**WARNING** TO PREVENT SERIOUS INJURY FROM TOOL FAILURE: Do not use damaged equipment. If abnormal noise or vibration occurs, have the problem corrected before further use.

**WARNING** Never use gasoline, benzine, thinner, alcohol or the like to clean the tool. Discoloration, deformation, or cracks may result.

Empty the wet/dry vac Canister (K) often, especially when wet debris is in the Canister (K).

When the wet/dry vac is not in use, the Vacuum Hose (B) can be wrapped around the appliance and secured with the Hose Clip (G). The Crevice Tool (H) and Wide Nozzle Tool (I) can also be stored on the wet/dry vac.

## Care and Cleaning

**WARNING** Blow dirt and dust out of all air vents with clean, dry air at least once a week. To minimize the risk of eye injury, always wear ANSI Z87.1 approved eye protection when performing this procedure.

**WARNING** Never use solvents or other harsh chemicals for cleaning the non-metallic parts of the tool. These chemicals may weaken the plastic materials used in these parts. Use a cloth dampened only with water and mild soap. Never let liquid enter the Battery Pack (A) or remain in the Canister (K) for extended periods of time as this shortens motor life.

**WARNING** Shock hazard. Disconnect the charger from the AC outlet before cleaning.

Dirt and grease may be removed from the exterior of the Battery Pack (A) using a cloth or soft non-metallic brush. Do not use water or any cleaning solutions.

1. BEFORE EACH USE, inspect the general condition of the tool. Check for:
  - leaking, swollen, or cracked Battery Pack (A),
  - loose hardware,
  - misalignment or binding of moving parts,
  - cracked or broken parts,
  - damaged electrical wiring, and
  - any other condition that may affect its safe operation.
2. AFTER USE, wipe the external surfaces of the wet/dry vac with a clean cloth.
3. All parts are permanently lubricated. Do not use additional lubrication.
4. Disconnect Battery Pack (A) and store Battery Pack (A), charger, and tool in dry, indoor area out of reach of children and away from metal objects (i.e., paper clips, coins) to prevent shorting.

## Proper Battery Disposal



Please take your spent battery packs to your local retailer for recycling. In some areas, it is illegal to place spent battery packs in the trash. You may also contact your local recycling center for information on where to drop off the spent battery pack. Do not place in curbside recycling.

# Troubleshooting

**WARNING** Follow all safety precautions whenever diagnosing or servicing the tool. Disconnect the Battery Pack (A) and charger power supply before service.

## Wet/Dry Vacuum

Problem	Solution
Unit will not start.	<ul style="list-style-type: none"><li>■ Remove the Battery Pack (A). Make sure there are no obstructions, clean battery contacts on the tool, reinsert the Battery Pack (A) according to its shape (it should only fit one way), and press firmly until the Battery Pack (A) locks in place.</li><li>■ Make sure the charger is connected and operating properly. Give enough time for the Battery Pack (A) to recharge properly.</li><li>■ Dispose of the old Battery Pack (A) properly or recycle. Replace the Battery Pack (A).</li><li>■ Contact Kreg Customer Experience.</li></ul>

## Battery

Problem	Solution
Battery pack does not charge properly.	<ul style="list-style-type: none"><li>■ Check operation of receptacle by plugging in a lamp or other appliance.</li><li>■ Check to see if receptacle is connected to a light switch which turns power off when you turn out the lights.</li><li>■ If charging problems persist, contact Kreg Customer Experience.</li></ul>

# Warranty

## Three Year Limited Warranty

For warranty terms, go to <https://learn.kregtool.com/support/product-warranties/>. To request a written copy of the warranty terms, contact Customer Experience at Kreg Tool Co., 7500 SE Convenience Blvd, Ankeny, IA 50021 or call 1-800-447-8638.



## **EXPLORE. BUILD. SHARE.**

We're makers just like you.

That's why we love to see what you're working on.

Share with the community and get inspired!

**#madewithKreg**

Get free plans, project resources, and more.

**[kregtool.com](https://www.kregtool.com)**