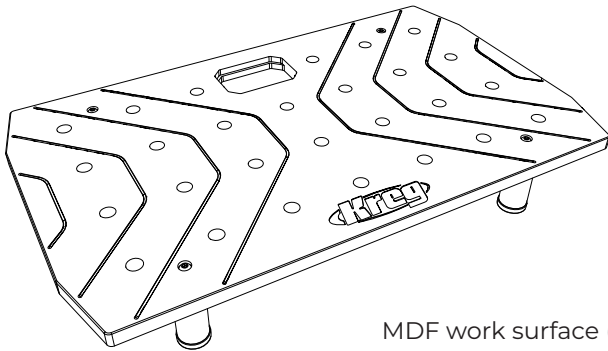


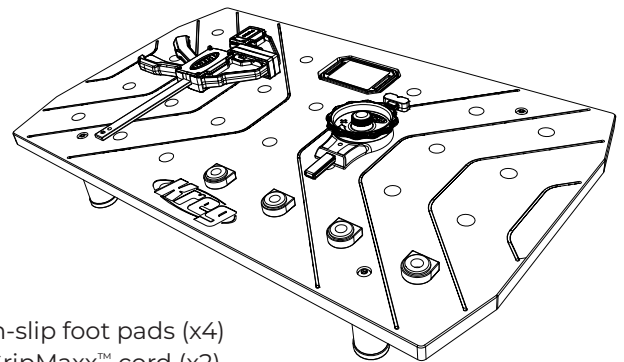


PORTABLE WORK SURFACE Owner's Manual

Part# KWSJAWS



Part# KWSJAWS100



Contents:

KWSJAWS

MDF work surface (x1) · Hex bolts (x4) · Non-slip foot pads (x4)
4" adjustable feet (x4) · Hex wrench (x1) · GripMaxx™ cord (x2)

KWSJAWS100 also includes:

VersaGrip™ Clamp — 6" (x1) · In-Line Clamp (x1) · Bench Dogs (x4)

Safety Guidelines

WARNING! Every user must read and follow instructions and safety precautions in this manual. Failure to do so could result in serious injury. Save manual for future reference.

- Do not use clamps on electrically energized wires.
- Keep hands and body parts clear of pinch points when clamping and unclamping to avoid chance of injury.
- Do not sit or stand on product, the product may tip or fail which can result in serious injury.
- Always keep the concentrated load centered to prevent tipping.
- Do not store work surface outdoors or in a damp location
- Always use common sense and be cautious when using and installing the work surface. It is not possible to anticipate every situation that could result in a dangerous outcome. Do not use this product if you do not understand these instructions or you feel the work is beyond your capability
- Load Capacity Limit: Do NOT exceed maximum load rating of 100 lbs. [45 kg.]. When installing using lumber and saw horses, do not exceed 100 lbs. [45 kg.] or the load rating of the supporting material, whichever is less

WARNING: This product can expose you to chemicals including Acrylonitrile and other chemicals, which are known to the State of California to cause cancer and reproductive harm. For more information go to www.P65Warnings.ca.gov.

WARNING: Drilling, sawing, sanding or machining wood products can expose you to wood dust, a substance known to the State of California to cause cancer. Avoid inhaling wood dust or use a dust mask or other safeguards for personal protection. For more information go to www.P65Warnings.ca.gov/wood.



Scan Here

To get more product information, videos, and more.

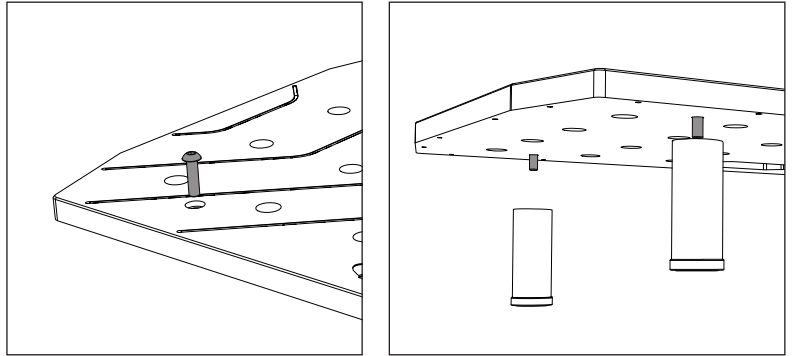
We're here to help. We want you to have an exceptional project-building experience. If you have questions or need support, please get in touch.
1-800-447-8638 | technicalsupport@kregtool.com

Assembly:

Tip: Prior to assembly, you may wish to treat the MDF surface with a spray or brush on polyurethane or wax to protect it from glue and finish. Be careful to not plug the grooves in the surface with protectant.

Attaching the Adjustable Feet to the Surface

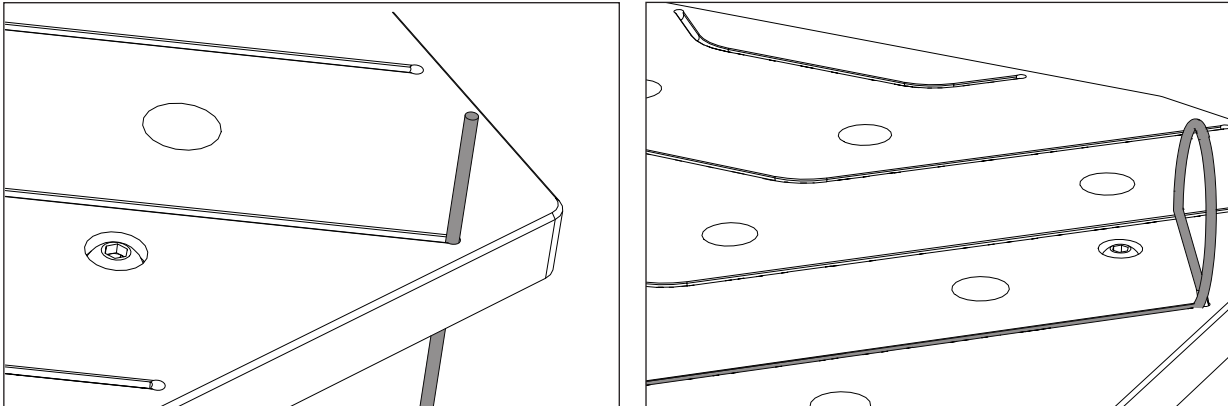
1. Slide the hex bolts into the recessed side of the foot holes.
2. Tighten with the supplied hex wrench.
3. Apply one non-slip pad to the bottom of each adjustable foot.



Installing GripMaxx™ Cords

1. Insert the GripMaxx™ cord into the hole underneath the surface and pull the cord through, leaving about 2".
2. Hold the cord in place, then stretch the cord while pushing into the channel, allowing it to rebound and fit into the channel.
3. When you reach the hole on the other end of the channel, insert the remainder of the cord, leaving a small loop.
4. Push the cord into the channel up to the loop, then pull the loop through, being careful not to break the cord (see image below). This allows the cord to fit tight and not protrude too far above the surface.
5. Repeat with all other channels on the surface.

Note: there will be extra lengths of cord left over after installation is complete.

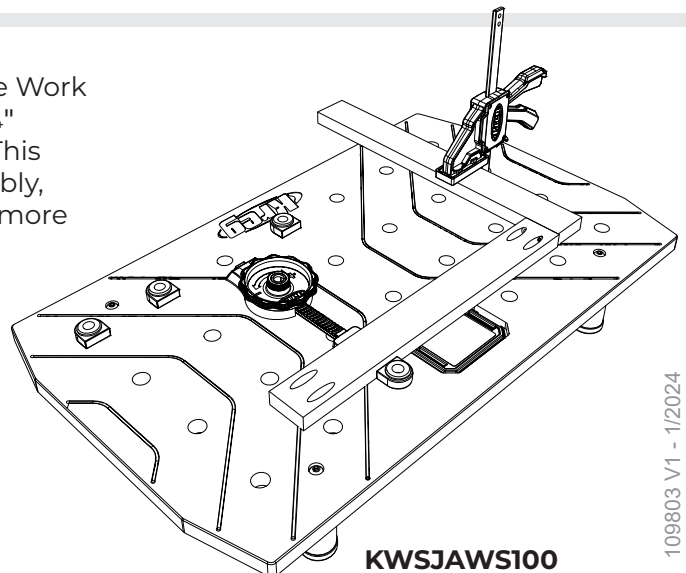


Once assembled, you're ready for project building. Your Portable Work Surface is ready to use with any Kreg products that work with $\frac{3}{4}$ " dog holes, and any other $\frac{3}{4}$ " dog hole aftermarket accessories. This easy-to-store, portable work surface is perfect for joining, assembly, sanding, routing, and much more. Please visit Kregtool.com for more information and plans for your next project.



Answer a few questions and save on your next order

Scan the QR code, take a quick survey, and we'll send you a code for 10% off your next purchase of \$50 or more on KregTool.com.



KWSJAWS100