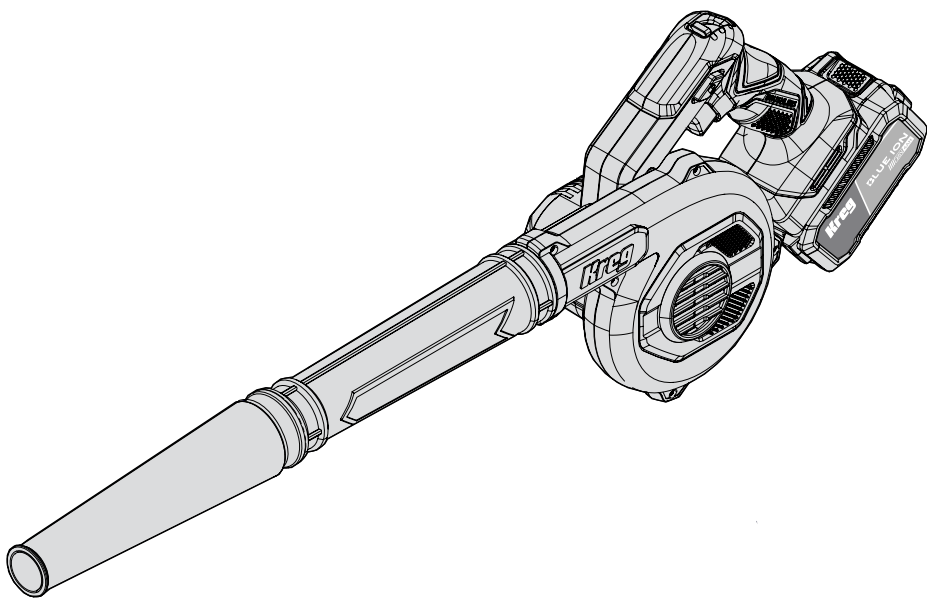


OWNER'S MANUAL

Kreg[®]
IONIC // DRIVE

Kreg[®] 20V Ionic Drive™ Shop Blower

Manual applies to Item # KPTCB1000



WARNING Every user must read and follow instructions and safety precautions in this manual. Failure to do so could result in serious injury. Save manual for future reference.

We're here to help.

We want you to have an exceptional project building experience.

If you have questions or need support, please get in touch.

1-800-447-8638 | technicalsupport@kregtool.com

Tell us about your experience.

Your opinion counts. And we're always looking for ways to improve.

Share your feedback so we can keep growing and innovating for you.

www.kregtool.com/feedback

Table of Contents

Intended Use	2	Attaching the Standard Nozzle Extension	13
Safety Precautions	2	Installing / Removing the Battery Pack	14
General Safety Guidelines.	2	Operation	14
Shop Blower Safety Warnings	5	Battery Charging	16
Batteries and Chargers Safety Guidelines	7	Maintenance	17
Terms and Definitions	10	Care and Cleaning	17
Kreg® 20V Ionic Drive™ Shop Blower		Proper Battery Disposal	17
Specifications	10	Troubleshooting.	18
Pre-Assembly	11		
Product Description	11		
Assembly	12		
Attaching the Standard Nozzle	12		
Attaching the Inflator Nozzle	12		

Intended Use

Kreg® 20V Ionic Drive™ Shop Blower is intended for clearing dust, debris, and other loose materials from work surfaces, work areas, and tools. Other uses are outside the scope of this tool and may cause bodily harm and may void any and all warranties. Use with Kreg Bluelon™ Batteries only.

Safety Precautions

General Safety Guidelines

WARNING Read all safety warnings, instructions, illustrations and specifications provided with this power tool. Failure to follow all instructions listed below may result in electric shock, fire, and/or serious injury.

WARNING This product can expose you to chemicals including Acrylonitrile and other chemicals, which are known to the State of California to cause cancer and reproductive harm. For more information go to www.P65Warnings.ca.gov.

WARNING Drilling, sawing, sanding or machining wood products can expose you to wood dust, a substance known to the State of California to cause cancer. Avoid inhaling wood dust or use a dust mask or other safeguards for personal protection. For more information go to www.P65Warnings.ca.gov/wood.

SAVE ALL WARNINGS AND INSTRUCTIONS FOR FUTURE REFERENCE.

The term “power tool” in the warnings refers to your mains-operated (corded) power tool or battery-operated (cordless) power tool.

1. Work area safety
 - a. Keep work area clean and well lit. Cluttered or dark areas invite accidents.
 - b. Do not operate power tools in explosive atmospheres, such as in the presence of flammable liquids, gases, or dust. Power tools create sparks which may ignite the dust or fumes.
 - c. Keep children and bystanders away while operating a power tool. Distractions can cause you to lose control.
2. Electrical safety
 - a. Power tool plugs must match the outlet. Never modify the plug in any way. Do not use any adapter plugs with earthed (grounded) power tools. Unmodified plugs and matching outlets will reduce risk of electric shock.
 - b. Avoid body contact with earthed or grounded surfaces, such as pipes, radiators, ranges, and refrigerators. There is an increased risk of electric shock if your body is earthed or grounded.
 - c. Do not expose power tools to rain or wet conditions. Water entering a power tool will increase the risk of electric shock.
 - d. Do not abuse the cord. Never use the cord for carrying, pulling, or unplugging the power tool. Keep cord away from heat, oil, sharp edges, or moving parts. Damaged or entangled cords increase the risk of electric shock.
 - e. When operating a power tool outdoors, use an extension cord suitable for outdoor use. Use of a cord suitable for outdoor use reduces the risk of electric shock.
 - f. If operating a power tool in a damp location is unavoidable, use a ground fault circuit interrupter (GFCI) protected supply. Use of a GFCI reduces the risk of electric shock.
3. Personal safety
 - a. Stay alert, watch what you are doing, and use common sense when operating a power tool. Do not use a power tool while you are tired or under the influence of drugs, alcohol, or medication. A moment of inattention while operating power tools may result in serious personal injury.
 - b. Use personal protective equipment. Always wear eye protection. Protective equipment such as dust mask, nonskid safety shoes, hard hat, or hearing protection used for appropriate conditions will reduce personal injuries.
 - c. Prevent unintentional starting. Ensure the switch is in the off position before connecting to power source and/or battery pack, picking up, or carrying the tool. Carrying power tools with your finger on the switch or energizing power tools that have the switch on invites accidents.
 - d. Remove any adjusting key or wrench before turning the power tool on. A wrench or a key left attached to a rotating part of the power tool may result in personal injury.
 - e. Do not overreach. Keep proper footing and balance at all times. This enables better control of the power tool in unexpected situations.
 - f. Dress properly. Do not wear loose clothing or jewelry. Keep your hair, clothing, and gloves away from moving parts. Loose clothes, jewelry, or long hair can be caught in moving parts.
 - g. If devices are provided for the connection of dust extraction and collection facilities, ensure these are connected and properly used. Use of dust collection can reduce dust-related hazards.
 - h. Do not let familiarity gained from frequent use of tools allow you to become complacent and ignore tool-safety principles. A careless action can cause severe injury within a fraction of a second.
4. Power tool use and care
 - a. Do not force the power tool. Use the correct power tool for your application. The correct power tool will do the job better and safer at the rate for which it was designed.

- b. Do not use the power tool if the switch does not turn it on and off. Any power tool that cannot be controlled with the switch is dangerous and must be repaired.
 - c. Disconnect the plug from the power source and/or remove the battery pack, if detachable, from the power tool before making any adjustments, changing accessories, or storing power tools. Such preventive safety measures reduce the risk of starting the power tool accidentally.
 - d. Store idle power tools out of the reach of children and do not allow persons unfamiliar with the power tool or these instructions to operate the power tool. Power tools are dangerous in the hands of untrained users.
 - e. Maintain power tools and accessories. Check for misalignment or binding of moving parts, breakage of parts, and any other condition that may affect the power tool operation. If damaged, have the power tool repaired before use. Many accidents are caused by poorly maintained power tools.
 - f. Use the power tool, accessories, and tool bits etc. in accordance with these instructions, taking into account the working conditions and the work to be performed. Use of the power tool for operations different from those intended could result in a hazardous situation.
 - g. Keep handles and grasping surfaces dry, clean, and free from oil and grease. Slippery handles and grasping surfaces do not allow for safe handling and control of the tool in unexpected situations.
5. Battery tool use and care
- a. Recharge only with the charger specified by the manufacturer. A charger that is suitable for one type of battery pack may create a risk of fire when used with another battery pack.
 - b. Use power tools only with specifically designated battery packs. Use of any other battery packs may create a risk of injury and fire.
 - c. When the battery pack is not in use, keep it away from other metal objects, like paper clips, coins, keys, nails, screws, or other small metal objects that can make a connection from one terminal to another.
 - d. Under abusive conditions, liquid may be ejected from the battery; avoid contact. If contact accidentally occurs, flush with water. If liquid contacts eyes, additionally seek medical help. Liquid ejected from the battery may cause irritation or burns.
 - e. Do not use a battery pack or tool that is damaged or modified. Damaged or modified batteries may exhibit unpredictable behavior resulting in fire, explosion, or risk of injury.
 - f. Do not expose a battery pack or tool to fire or excessive temperature. Exposure to fire or temperature above 265°F (130°C) may cause explosion.
 - g. Follow all charging instructions and do not charge the battery pack or tool outside the temperature range specified in the instructions. Charging improperly or at temperatures outside the specified range may damage the battery and increase the risk of fire.
6. Service
- a. Have your power tool serviced by a qualified repair person using only identical replacement parts. This will ensure that the safety of the power tool is maintained.
 - b. Never service damaged battery packs. Service of battery packs should only be performed by the manufacturer or authorized service providers.

Shop Blower Safety Warnings

- Do not put any object into openings. Do not use with any opening blocked; keep free of dust, lint, hair, and anything that may reduce air flow.
- Keep hair, loose clothing, fingers, and all parts of the body away from openings and moving parts.

- Use extra care when cleaning on stairs.
- Do not use to pick up flammable or combustible liquids, such as gasoline, or use in areas where they may be present.
- Do not pick up anything that is burning or smoking, such as cigarettes, matches, or hot ashes.
- Remove all hard objects from the work area. Do not blow debris in the direction of people, animals, or property.
- Use only accessories provided. Keep guards in place and in working order.
- Maintain labels and nameplates on the appliance. These carry important safety information.
- The battery charger gets hot during use. The charger's heat can build up to unsafe levels and create a fire hazard if it does not receive adequate ventilation, due to an electrical fault, or if it is used in a hot environment. Do not place the charger on a flammable surface. Do not obstruct any vents on the charger. Especially avoid placing the charger on carpets and rugs; they are not only flammable, but they also obstruct vents under the charger. Place the charger on a stable, solid, nonflammable surface (such as a stable metal workbench or concrete floor) at least 1 foot away from all flammable objects, such as drapes or walls. Keep a fire extinguisher and a smoke detector in the area. Frequently monitor the charger and battery pack while charging.
- People with pacemakers should consult their physician(s) before use. Electromagnetic fields in close proximity to heart pacemaker could cause pacemaker interference or pacemaker failure.
- The warnings, precautions, and instructions discussed in this instruction manual cannot cover all possible conditions and situations that may occur. It must be understood by the operator that common sense and caution are factors which cannot be built into this product, but must be supplied by the operator.

Vibration Safety

This tool vibrates during use. Repeated or long-term exposure to vibration may cause temporary or permanent physical injury, particularly to the hands, arms, and shoulders. To reduce the risk of vibration-related injury:

- Anyone using vibrating tools regularly or for an extended period should first be examined by a doctor and then have regular medical check-ups to ensure medical problems are not being caused or worsened from use. Pregnant women or people who have impaired blood circulation to the hand, past hand injuries, nervous system disorders, diabetes, or Raynaud's Disease should not use this tool. If you feel any symptoms related to vibration (such as tingling, numbness, and white or blue fingers), seek medical advice as soon as possible.
- Do not smoke during use. Nicotine reduces the blood supply to the hands and fingers, increasing the risk of vibration-related injury.
- Wear suitable gloves to reduce the vibration effects on the user.
- Use tools with the lowest vibration when there is a choice.
- Include vibration-free periods each day of work.
- Grip tool as lightly as possible (while still keeping safe control of it). Let the tool do the work.
- To reduce vibration, maintain the tool as explained in this manual. If any abnormal vibration occurs, stop use immediately.

Additional Safety Instructions

WARNING ALWAYS use safety glasses. Everyday eyeglasses are NOT safety glasses. Also use face or dust mask if cutting operation is dusty. ALWAYS WEAR CERTIFIED SAFETY EQUIPMENT:

- ANSI Z87.1 eye protection (CAN/CSA Z94.3),
- ANSI S12.6 (S3.19) hearing protection,
- NIOSH/OSHA/MSHA respiratory protection.

WARNING Some dust created by power sanding, sawing, grinding, drilling, and other construction activities contains chemicals known to the State of California to cause cancer, birth defects or other reproductive harm. Some examples of these chemicals are:

- lead from lead-based paints,
- crystalline silica from bricks and cement and other masonry products, and
- arsenic and chromium from chemically-treated lumber.

Your risk from these exposures varies, depending on how often you do this type of work. To reduce your exposure to these chemicals: work in a well ventilated area, and work with approved safety equipment, such as those dust masks that are specially designed to filter out microscopic particles.

- Avoid prolonged contact with dust from power sanding, sawing, grinding, drilling, and other construction activities. Wear protective clothing and wash exposed areas with soap and water. Allowing dust to get into your mouth, eyes, or lay on the skin may promote absorption of harmful chemicals.

WARNING Use of this tool can generate and/or disperse dust, which may cause serious and permanent respiratory or other injury. Always use NIOSH/OSHA approved respiratory protection appropriate for the dust exposure. Direct particles away from face and body.

WARNING Always wear proper personal hearing protection that conforms to ANSI S12.6 (S3.19) during use. Under some conditions and duration of use, noise from this product may contribute to hearing loss.

CAUTION When not in use, place tool on its side on a stable surface where it will not cause a tripping or falling hazard. Some tools with large battery packs will stand upright on the battery pack but may be easily knocked over.

- Air vents often cover moving parts and should be avoided. Loose clothes, jewelry, or long hair can be caught in moving parts.
- Know your power tool. Read operator's manual carefully. Learn its applications and limitations, as well as the specific potential hazards related to this power tool. Following this rule will reduce the risk of electric shock, fire, or serious injury.
- Always wear eye protection with side shields marked to comply with ANSI Z87.1 when assembling parts, operating the tool, or performing maintenance. Following this rule will reduce the risk of serious personal injury.
- Protect your lungs. Wear a face or dust mask if the operation is dusty. Following this rule will reduce the risk of serious personal injury.
- Protect your hearing. Wear hearing protection during extended periods of operation. Following this rule will reduce the risk of serious personal injury.
- Battery tools do not have to be plugged into an electrical outlet; therefore, they are always in operating condition. Be aware of possible hazards when not using your battery tool or when changing accessories. Following this rule will reduce the risk of electric shock, fire, or serious personal injury.
- Do not place battery tools or their batteries near fire or heat. This will reduce the risk of explosion and possibly injury.
- Do not crush, drop, or damage the battery pack. Do not use a battery pack or charger that has been dropped or received a sharp blow. A damaged battery is subject to explosion. Properly dispose of a dropped or damaged battery immediately.

- Batteries can explode in the presence of a source of ignition, such as a pilot light. To reduce the risk of serious personal injury, never use any cordless product in the presence of open flame. An exploded battery can propel debris and chemicals. If exposed, flush with water immediately.
- Do not charge battery tool in a damp or wet location. Do not use, store, or charge battery packs or products in locations where the temperature is less than 50°F or more than 100°F. Do not store outside or in vehicles.
- Under extreme usage or temperature conditions, battery leakage may occur. If liquid comes in contact with your skin, wash immediately with soap and water. If liquid gets into your eyes, flush them with clean water for at least 10 minutes, then seek immediate medical attention. Following this rule will reduce the risk of serious personal injury.
- Save these instructions. Refer to them frequently and use them to instruct others who may use this tool. If you loan someone this tool, loan them these instructions also.

Batteries and Chargers Safety Guidelines

The battery pack is not fully charged out of the carton. Before using the battery pack and charger, read the safety instructions below and then follow charging procedures outlined. When ordering replacement battery packs, be sure to include the model number and voltage found on the battery pack.

READ ALL INSTRUCTIONS

Important Safety Instructions for All Battery Packs

WARNING Read all safety warnings, instructions, and cautionary markings for the battery pack, charger, and product. Failure to follow the warnings and instructions may result in electric shock, fire, and/or serious injury.

- Do not charge or use the battery pack in explosive atmospheres, such as in the presence of flammable liquids, gases, or dust. Inserting or removing the battery pack from the charger may ignite the dust or fumes.
- NEVER force the battery pack into the charger. DO NOT modify the battery pack in any way to fit into a non-compatible charger as battery pack may rupture causing serious personal injury.
- Charge the battery packs only in Kreg chargers.
- DO NOT splash or immerse in water or other liquids.
- DO NOT allow water or any liquid to enter the battery pack.
- Do not store or use the tool and battery pack in locations where the temperature may reach or exceed 104°F (40°C) (such as outside sheds or metal buildings in summer). For best life store battery packs in a cool, dry location.

Note Do not store the battery packs in a tool with the trigger switch locked on. Never tape the trigger switch in the ON position.

- Do not incinerate the battery pack even if it is severely damaged or is completely worn out. The battery pack can explode in a fire. Toxic fumes and materials are created when lithium-ion battery packs are burned.
- Do not expose a battery pack or appliance to fire or excessive temperature. Exposure to fire or temperature above 265°F (130°C) may cause explosion.
- Follow all charging instructions and do not charge the battery pack or appliance outside of the temperature range specified in the instructions. Charging improperly or at temperatures outside of the specified range may damage the battery and increase the risk of fire.

- If battery contents come into contact with the skin, immediately wash the area with mild soap and water. If battery liquid gets into the eye, rinse water over the open eye for 15 minutes or until irritation ceases. If medical attention is needed, the battery electrolyte is composed of a mixture of liquid organic carbonates and lithium salts.
- Contents of opened battery cells may cause respiratory irritation. Provide fresh air. If symptoms persist, seek medical attention.
- Battery liquid may be flammable if exposed to spark or flame.
- Never attempt to open the battery pack for any reason. If the battery pack case is cracked or damaged, do not insert into the charger. Do not crush, drop, or damage the battery pack. Do not use a battery pack or charger that has received a sharp blow, been dropped, run over, or damaged in any way (e.g., pierced with a nail, hit with a hammer, stepped on). Damaged or modified batteries may exhibit unpredictable behavior resulting in fire, explosion, or risk of injury. Damaged battery packs should be returned to the service center for recycling.

Storage Recommendations

The best storage place is one that is cool and dry, away from direct sunlight and excess heat or cold. Store the fully charged battery pack out of the charger.

Battery Pack Cleaning Instructions

Dirt and grease may be removed from the exterior of the battery pack using a cloth or soft non-metallic brush. Do not use water or any cleaning solutions.

Bluelon™ Battery Packs

Some battery packs include a charge indicator. When the charge indicator button is pressed and held, the LED lights will indicate the approximate level of charge remaining. This does not indicate tool functionality and is subject to variation based on product components, temperature, and end-user application.

Transportation

WARNING Fire hazard. Do not store, carry, or transport the battery pack so that metal objects can contact exposed battery terminals. For example, do not place the battery pack in aprons, pockets, tool boxes, product kit boxes, drawers, etc., with loose nails, screws, keys, coins, hand tools, etc. When transporting individual battery packs, make sure that the battery terminals are protected and well insulated from materials that could contact them and cause a short circuit.

Note Li-ion battery packs should not be put in checked baggage on airplanes and must be properly protected from short circuits if they are in carry-on baggage.

Important Safety Instructions for All Battery Chargers


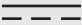




WARNING Read all safety warnings, instructions, and cautionary markings for the battery pack, charger, and product. Failure to follow the warnings and instructions may result in electric shock, fire, and/or serious injury.




- DO NOT attempt to charge the battery pack with any chargers other than a Kreg charger. Kreg chargers and battery packs are specifically designed to work together.
- These chargers are not intended for any uses other than charging Kreg rechargeable battery packs. Charging other types of battery packs may cause them to overheat and burst, resulting in personal injury, property damage, fire, electric shock, or electrocution.
- Do not expose the charger to rain or snow.
- Do not allow water or any liquid to enter the charger.

- Pull by the plug rather than the cord when disconnecting the charger. This will reduce the risk of damage to the electric plug and cord.
- Make sure that the cord is located so that it will not be stepped on, tripped over, or otherwise subjected to damage or stress.
- Do not use an extension cord unless it is absolutely necessary. Use of an improper extension cord could result in risk of fire, electric shock, or electrocution.
- When operating a charger outdoors, always provide a dry location and use an extension cord suitable for outdoor use. Use of a cord suitable for outdoor use reduces the risk of electric shock.
- Do not disassemble the charger; contact Kreg Customer Experience when service or repair is required. Incorrect reassembly may result in a risk of electric shock, electrocution, or fire.
- The charger is designed to operate on standard 120V household electrical power. Do not attempt to use it on any other voltage.
- Foreign materials of a conductive nature, such as, but not limited to, grinding dust, metal chips, steel wool, aluminum foil, or any buildup of metallic particles should be kept away from the charger cavities and ventilation slots.
- Always unplug the charger from the power supply when there is no battery pack in the cavity.

Terms and Definitions

The label on the blower may include the symbols below. The symbols and their definitions are as follows:

	Safety alert symbol
V	Volts
Hz	Hertz
A	Amperes
W	Watts
	Direct current
	Alternating current
	Alternating or direct current
	Class I construction (grounded)
	Class II tool (double insulated)

	Earthing terminal
min	Minutes
/min	Revolutions or reciprocations per minute
BPM	Beats per minute
RPM	Revolutions per minute
n_0	No load speed
	Read the instructions
	Wear eye and ear protection

Kreg® 20V Ionic Drive™ Shop Blower Specifications

ETL Listing: KPTCB1000

20V Max DC

Air Volume = 100 CFM

Guidelines for Extension Cord Use

Extension cords are only to be used for temporary purposes. They do not replace the need for installation of outlets and proper wiring where necessary.

In your work area:

1. Extension cords with an equipment grounding conductor must be used at all times.
2. Extension cords must be protected from damage, and not run through doorways or windows where the doors or windows can close, causing damage to the cord.
3. Extension cords must be a minimum of 16 AWG and be rated for the equipment in use.
4. Extension cords must be periodically inspected to ensure that the insulation and conductivity of the wires are not compromised.
5. Extension cords should not be run through water or allowed to have connections that may be exposed to accumulated water.

Nameplate Amperes @ 120 V	Extension Cord Length					
	25'	50'	75'	100'	150'	200'
	Recommended Wire Gauge					
0 – 5	16	16	16	14	12	12
5.1 – 8	16	16	14	12	10	NR
8.1 – 12	14	14	12	10	NR	NR
12.1 – 16	12	12	NR	NR	NR	NR

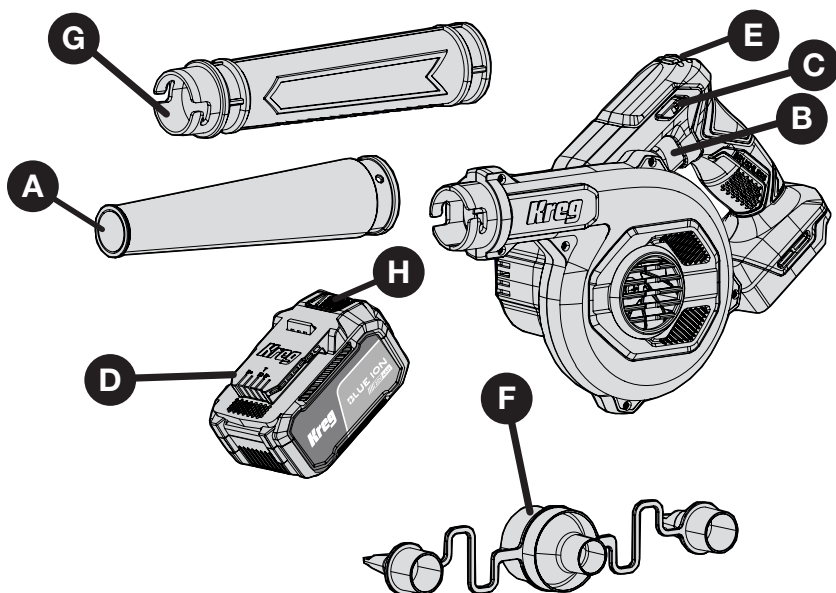
NR – Not Recommended

Pre-Assembly

WARNING Read the ENTIRE IMPORTANT SAFETY INFORMATION section at the beginning of this manual including all text under subheadings therein before setup or use of this product.

Review this section before you begin. Ensure you have all tools/materials on hand and compare the package with the items listed in the Product Description section. If any item appears missing or lost, do not use this product. Contact Kreg Customer Experience or return the product to place of purchase.

Product Description



Part	Description
A	Standard Nozzle
B	Trigger
C	Trigger Lock
D	Battery Pack

Part	Description
E	Speed Switch
F	3-in-1 Inflator Nozzle
G	Standard Nozzle Extension
H	Battery Pack Release Button

Battery Level

	75–100% charged
	51–74% charged
	26–50% charged
	<25% charged
	Pack needs to be charged

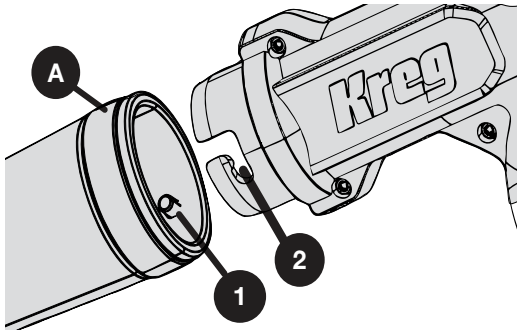
Assembly

WARNING To reduce the risk of serious personal injury, turn unit off and remove the Battery Pack (D) before making any adjustments or removing/installing attachments or accessories. An accidental start-up can cause injury.

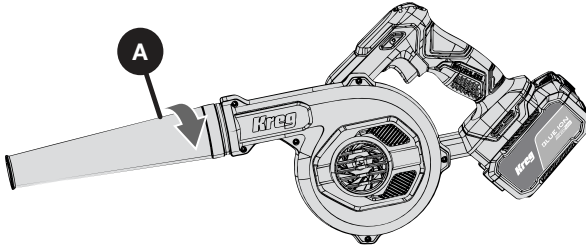
WARNING To prevent serious injury from accidental operation, release the Trigger (B) on the shop blower and remove the Battery Pack (D) before performing any procedure in this section.

Attaching the Standard Nozzle

1. Slide the Standard Nozzle (A) over the blower outlet, lining up the Standard Nozzle's (A) tab (1) over the blower outlet's slot (2).

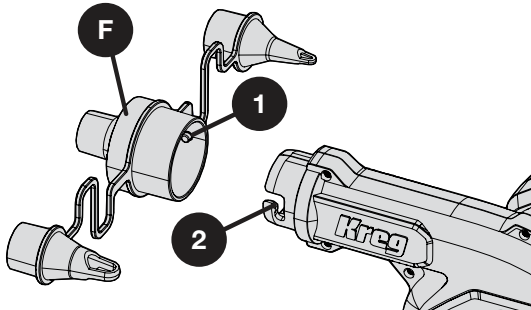


2. Rotate the Standard Nozzle (A) clockwise to lock in place.

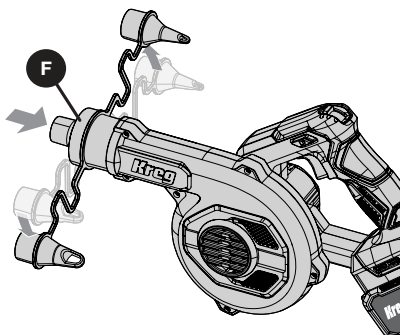


Attaching the Inflator Nozzle

1. To use the 3-in-1 Inflator Nozzle (F), slide the nozzle over the blower outlet, lining up the tab (1) on the Inflator Nozzle (F) over the blower outlet's slot (2).

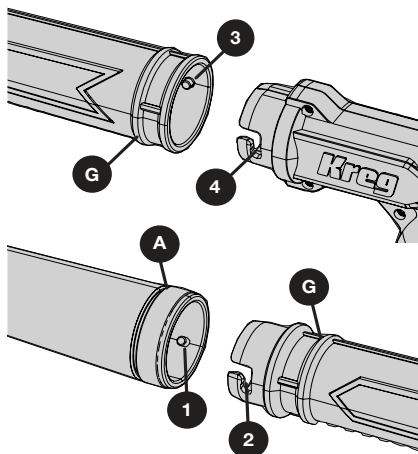


2. Rotate the 3-in-1 Inflator Nozzle (F) clockwise to lock in place.

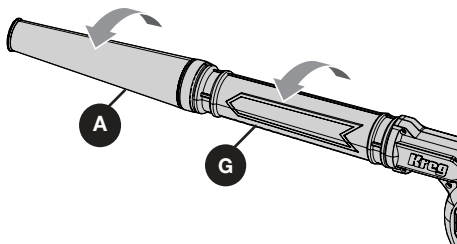


Attaching the Standard Nozzle Extension

1. To use the Standard Nozzle Extension (G), slide the Standard Nozzle (A) over the Standard Nozzle Extension (G), lining up the Standard Nozzle's tab (1) over the Standard Nozzle Extension's (G) slot (2).
2. Then slide the Standard Nozzle Extension (G) over the blower outlet, aligning the Standard Nozzle Extension's (G) tab (3) over the blower outlet's slot (4).



3. Rotate the Standard Nozzle (A) and Standard Nozzle Extension (G) clockwise to lock the nozzles in place on the blower.



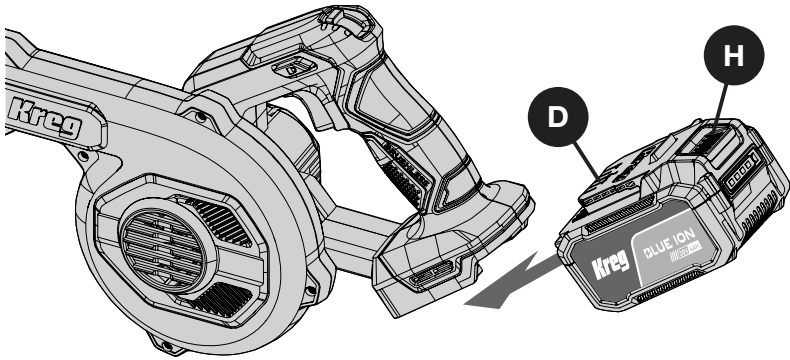
Installing / Removing the Battery Pack

WARNING Ensure the tool is in the off position before inserting the Battery Pack (D).

WARNING This tool is for use only with Kreg **Blue Ion™** Battery Packs.

Note For best results, make sure your Battery Pack (D) is fully charged.

1. To install the Battery Pack (D) into the shop blower handle, align the Battery Pack (D) with the rails inside the blower's handle and slide it into the handle until the Battery Pack (D) is firmly seated in the blower. Ensure that it does not disengage.
2. To remove the Battery Pack (D) from the blower, press the Battery Pack Release Button (H) and firmly pull the Battery Pack (D) out of the handle. Insert it into the charger as described in **Battery Charging** on page 16.



Operation

WARNING To reduce the risk of serious personal injury, turn unit off and remove the battery pack (D) before making any adjustments or removing/installing attachments or accessories. An accidental start-up can cause injury.

WARNING To prevent serious injury from flying debris: wear long pants, long sleeves, and protective footwear. Wear ANSI-approved safety goggles, dust mask, hearing protectors, and gloves.

WARNING To avoid serious injury and property damage: inspect the area before using the blower. Remove all hard objects from the work area. Do not blow debris in the direction of people, animals, or property. Use both hands when operating the blower.

WARNING DO NOT use under wet conditions or in presence of flammable liquids or gases.

WARNING DO NOT let children come into contact with the tool. Supervision is required when inexperienced operators use this appliance.

NOTE This product comes with a 3-in-1 Inflator Nozzle (F) for filling air mattresses and other inflatables. Refer to the respective manufacturer's recommendations to see if filling with this blower is appropriate for the application. Do not over-inflate.

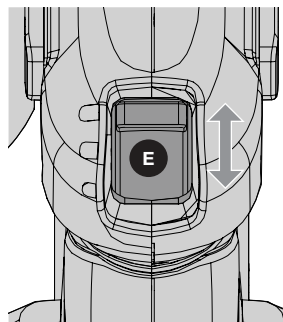
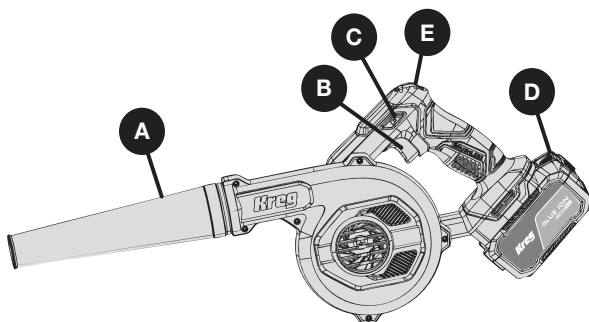
To operate the blower:

1. Assemble the blower in the desired configuration according to the **Assembly** instructions on page 12.

CAUTION The Standard Nozzle (A) helps prevent contact with internal moving parts. To prevent injury, do not use the blower without the Standard Nozzle (A) attached.

NOTE Rake or sweep to loosen debris if necessary.

2. Make sure that the Trigger (B) is in the OFF position, then insert the Battery Pack (D) as described in **Installing / Removing the Battery Pack** on page 14.
3. Hold the blower with both hands, with the Standard Nozzle (A) several inches off the ground.
4. Adjust the Speed Switch (E) to the desired air flow setting of High, Medium, or Low. Push the Speed Switch (E) up to increase airflow, and down to decrease airflow.
5. Press and hold the Trigger (B).
6. To lock the blower on for continuous operation:
 - a. Press the Trigger (B) fully and hold, then press and hold the Trigger Lock (C) from the left or right side of the blower.
 - b. Release the Trigger (B) first and then the Trigger Lock (C).
 - c. To release the lock-on function, press the Trigger (B) again.
4. Sweep the blower from side to side and release the Trigger (B) when done.
5. When finished, do the following to prevent accidents:
 - Remove the Battery Pack (D).
 - Wipe the external surfaces of the blower with a clean cloth, then store in a dry, indoor area out of reach of children.



Battery Charging

WARNING The charger is designed to operate on standard 120V household electrical power. Do not attempt to use it on any other voltage.





WARNING Always unplug the charger from the power supply when there is no Battery Pack (D) in the cavity.

1. Plug the charger into an appropriate outlet.
2. Insert and fully seat the Battery Pack (D). The green charging light(s) will continuously blink while charging.
3. Charging is complete when the green charging light(s) remain(s) continuously ON.
4. The charger will not charge a faulty Battery Pack (D), which may be indicated by the charging light(s) staying OFF. Contact Kreg Customer Experience if light(s) on the charger and Battery Pack (D) stay(s) OFF.

Note Refer to the label near the charging light(s) on the charger for blink patterns.

Note To remove the Battery Pack (D), some chargers require you to press the Battery Pack Release Button (H).

Battery Charger Indicator Lights

	Fully charged
	Charging
	Faulty battery pack
	Hot/cold pack delay

Hot/Cold Pack Delay

When the charger detects a Battery Pack (D) that is too hot or too cold, it automatically starts a Hot/Cold Pack Delay, suspending charging until the Battery Pack (D) has reached an appropriate temperature. The charger then automatically switches to the pack charging mode. This feature ensures maximum battery pack life.

A cold Battery Pack (D) may charge at a slower rate than a warm Battery Pack (D).

The Hot/Cold Pack Delay will be indicated by the red light(s) continuing to blink. Once the Battery Pack (D) has reached an appropriate temperature, the red light will turn OFF and the charger will resume the charging procedure.

Important Charging Notes

- Longest life and best performance can be obtained if the Battery Pack (D) is charged when the air temperature is between 65°F–75°F (18°C–24°C). DO NOT charge when the Battery Pack (D) is below +40°F (+4.5°C), or above +104°F (+40°C).
- The charger and Battery Pack (D) may become warm to the touch while charging. This is normal and does not indicate a problem.
- You may charge a partially used Battery Pack (D) whenever you desire with no adverse affect on the Battery Pack (D).

Maintenance

WARNING To reduce the risk of serious personal injury, turn unit off and remove the Battery Pack (D) before making any adjustments or removing/installing attachments or accessories. An accidental start-up can cause injury.

WARNING To prevent serious injury from tool failure, do not use damaged equipment. If abnormal noise or vibration occurs or damage is noticed, have the problem corrected before further use.

Your power tool has been designed to operate over a long period of time with a minimum of maintenance. Continuous satisfactory operation depends upon proper tool care and regular cleaning.

WARNING Never use gasoline, benzine, thinner, alcohol, or the like to clean the tool. Discoloration, deformation, or cracks may result.

Care and Cleaning

WARNING Blow dirt and dust out of all air vents with clean, dry air at least once a week. To minimize the risk of eye injury, always wear ANSI Z87.1 approved eye protection when performing this procedure.

WARNING Never use solvents or other harsh chemicals for cleaning the non-metallic parts of the tool. These chemicals may weaken the plastic materials used in these parts. Use a cloth dampened only with water and mild soap. Never let any liquid get inside the tool; never immerse any part of the tool into a liquid.

WARNING Shock hazard. Disconnect the charger from the AC outlet before cleaning.

Dirt and grease may be removed from the exterior of the battery pack using a cloth or soft non-metallic brush. Do not use water or any cleaning solutions.

1. BEFORE EACH USE, inspect the general condition of the blower. Check for:
 - Loose hardware
 - Misalignment or binding of moving parts
 - Cracked or broken parts
 - Damaged electrical wiring
 - Any other condition that may affect its safe operation
2. AFTER USE, wipe the external surfaces of the blower with a clean cloth. Store in a dry, indoor area out of reach of children.
3. All parts are permanently lubricated. Do not use additional lubrication.

Proper Battery Disposal



Please take your spent battery packs to your local retailer for recycling. In some areas, it is illegal to place spent battery packs in the trash. You may also contact your local recycling center for information on where to drop off the spent battery pack. Do not place in curbside recycling.

Troubleshooting

Shop Blower

Problem	Solution
The blower will not start.	<ul style="list-style-type: none">■ Remove the Battery Pack (D). Make sure there are no obstructions, clean battery contacts on the tool, reinsert the Battery Pack (D) according to its shape (it should only fit one way), and press firmly until the Battery Pack (D) locks in place.■ Make sure the charger is connected and operating properly. Give enough time for the Battery Pack (D) to recharge properly.■ Dispose of the old Battery Pack (D) properly or recycle. Replace the Battery Pack (D).■ Contact Kreg Customer Experience.

Battery

Problem	Solution
Battery Pack does not charge properly.	<ul style="list-style-type: none">■ Check operation of receptacle by plugging in a lamp or other appliance.■ Check to see if receptacle is connected to a light switch which turns power off when you turn out the lights.■ If charging problems persist, contact Kreg Customer Experience.

Warranty

Three Year Limited Warranty

For warranty terms, go to <https://learn.kregtool.com/support/product-warranties>. To request a written copy of the warranty terms, contact Customer Experience at Kreg Tool Co., 7500 SE Convenience Blvd, Ankeny, IA 50021 or call 1-800-447-8638.



EXPLORE. BUILD. SHARE.

We're makers just like you.

That's why we love to see what you're working on.

Share with the community and get inspired!

#madewithKreg

Get free plans, project resources, and more.

[kregtool.com](https://www.kregtool.com)