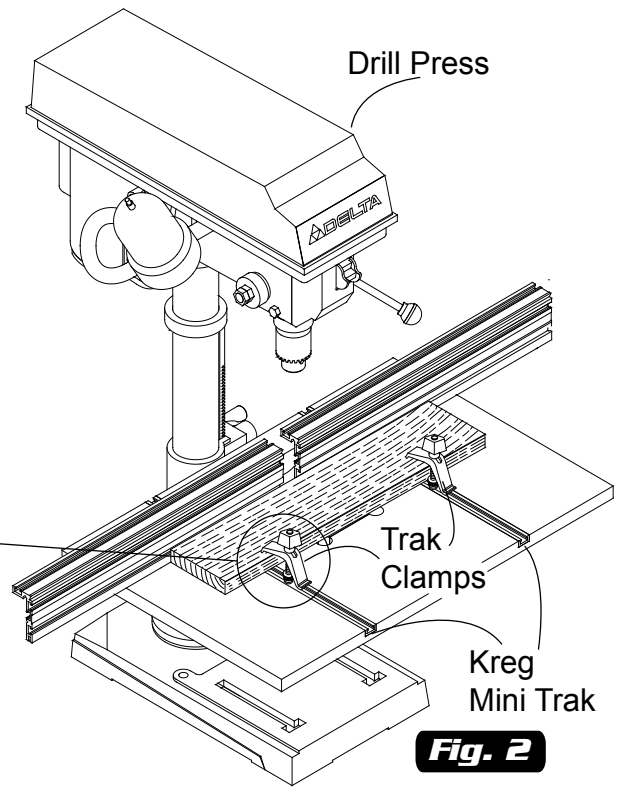
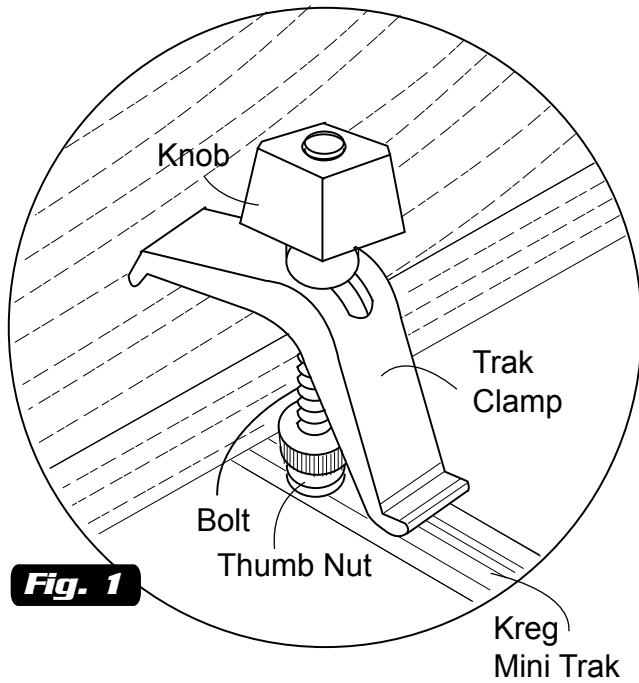




www.kregtool.com
800.447.8638

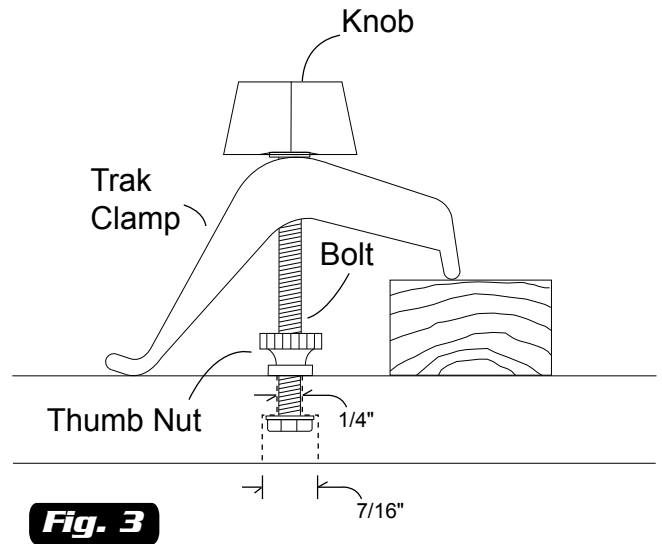
TRAK CLAMP KMS7511



The Kreg Trak Clamp was designed to be an inexpensive and versatile clamp that has many uses in the shop. The clamp is made to work with Kreg Mini Track as shown in figure 1.

When mounting the clamp on any of the tracks, be sure to have the base of the clamp seated on the track to avoid pulling the track out of the work surface. For most clamping applications, we suggest using two clamps to keep the work piece from rotating as shown in figure 2.

You may also mount the clamp to a piece of wood by drilling a 1/4" hole and then counter-sinking a 7/16" hole for the bolt head as shown in figure 3.



KREG TOOL COMPANY
201 Campus Drive
Huxley, Iowa 50124

www.kregtool.com

800.447.8638