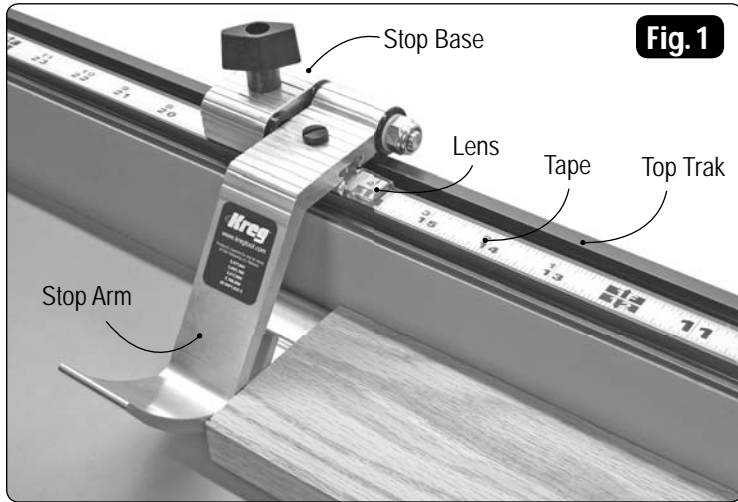




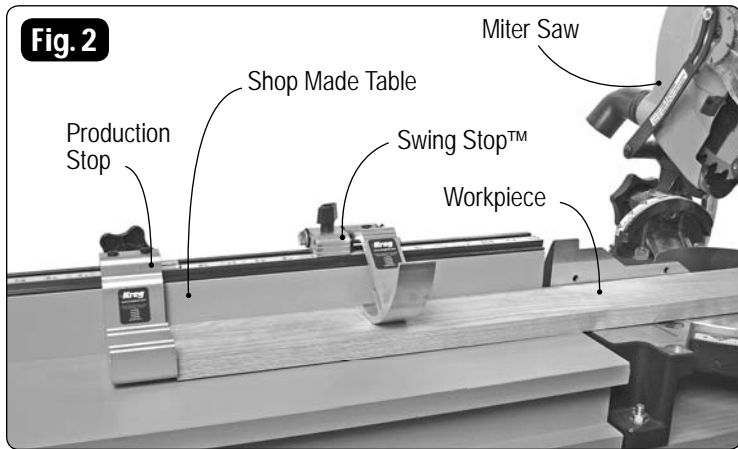
Swing Stop™ Instructions

#KMS7801

Thank you for purchasing this Kreg Precision Machine Accessory. The Swing Stop™ provides an easy and efficient method for making incredibly precise cuts, one after another.



Cutting numerous pieces to the exact length, without measuring, is easy. Gently press the end of the board opposite the blade against the side of the Stop Arm; as shown in Figure 1.



These stops can be secured anywhere along the trak. The Swing Stop™ is specifically designed to raise out of your way automatically, when a board is pushed against the front; as shown in Figure 2.

The Stop Arm rests on top of the workpiece until the board has been withdrawn. When the board is removed or moved to the side of the stop, the arm drops down and is again ready for use.

The Stop Arm can be positioned on either side of the base which is secured to the Top Trak with the T-Knob. (The Stop Arm should be positioned between the base and the saw blade; as shown in Figure 2.)

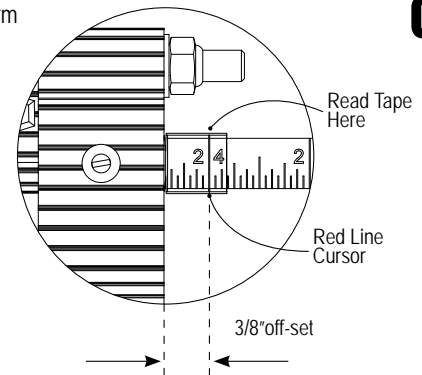
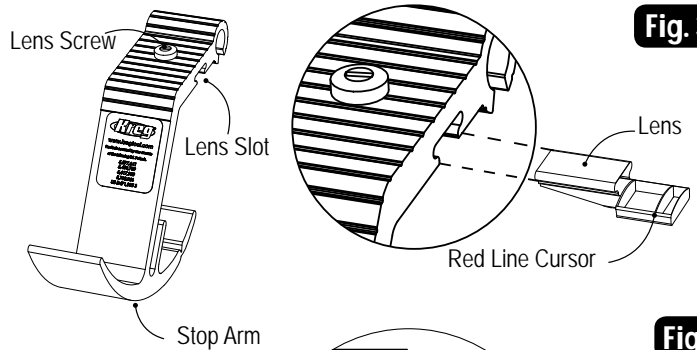
The distance between the blade and the Stop Arm is measured using the lens, and tape attached to the Top Trak. (see the opposite side of this page for more instructions.)

About the Lens

Our stops feature an adjustable lens cursor, similar to the lens on a quality tablesaw rip-fence. The Lens is a clear material, except for a red line (cursor) on the bottom of the Lens; as shown in Figure 3. The Lens is adjustable to fine-tune the stop, and is secured in place with the Lens Screw. The Lens can be aligned to either side of the Stop Arm.

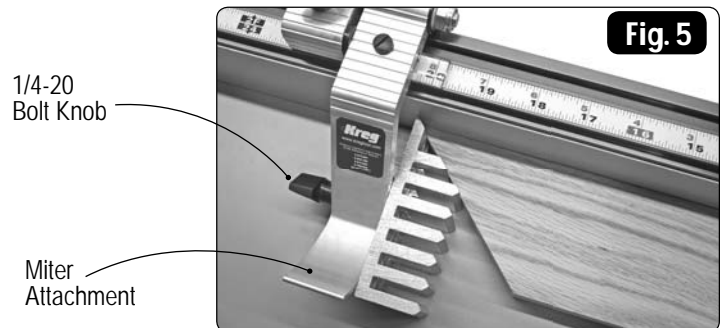
The Cursor makes it easy to read the tape lines and compensate for variations in blade thickness and imperfectly positioned tape. Because the Lens Cursor protrudes 3/8" from the stop (as seen in Figure 4), the self-adhesive tape on a Kreg Precision Measuring Component must be placed 3/8" closer to the saw blade for the lens to work properly. If you are using another brand of track/tape that is not offset for use with the lens, you may remove the lens and read the measurement directly off the edge of the stop.

After you have correctly set the Swing Stop™ for your particular set up, you may make a few practice cuts to ensure its accuracy. First, set the Swing Stop™ at 20" (or any length you desire) and make a cut. Check the stock with your tape measure to test the accuracy of the cut. At this time you may make adjustments to the Lens as necessary. Do this by loosening the Lens Screw and gently pulling or pushing the Lens to its desired location before tightening the Lens Screw again. Make a second cut at 18" (or any length shorter than the original) and test its accuracy again. Repeat this process as necessary.



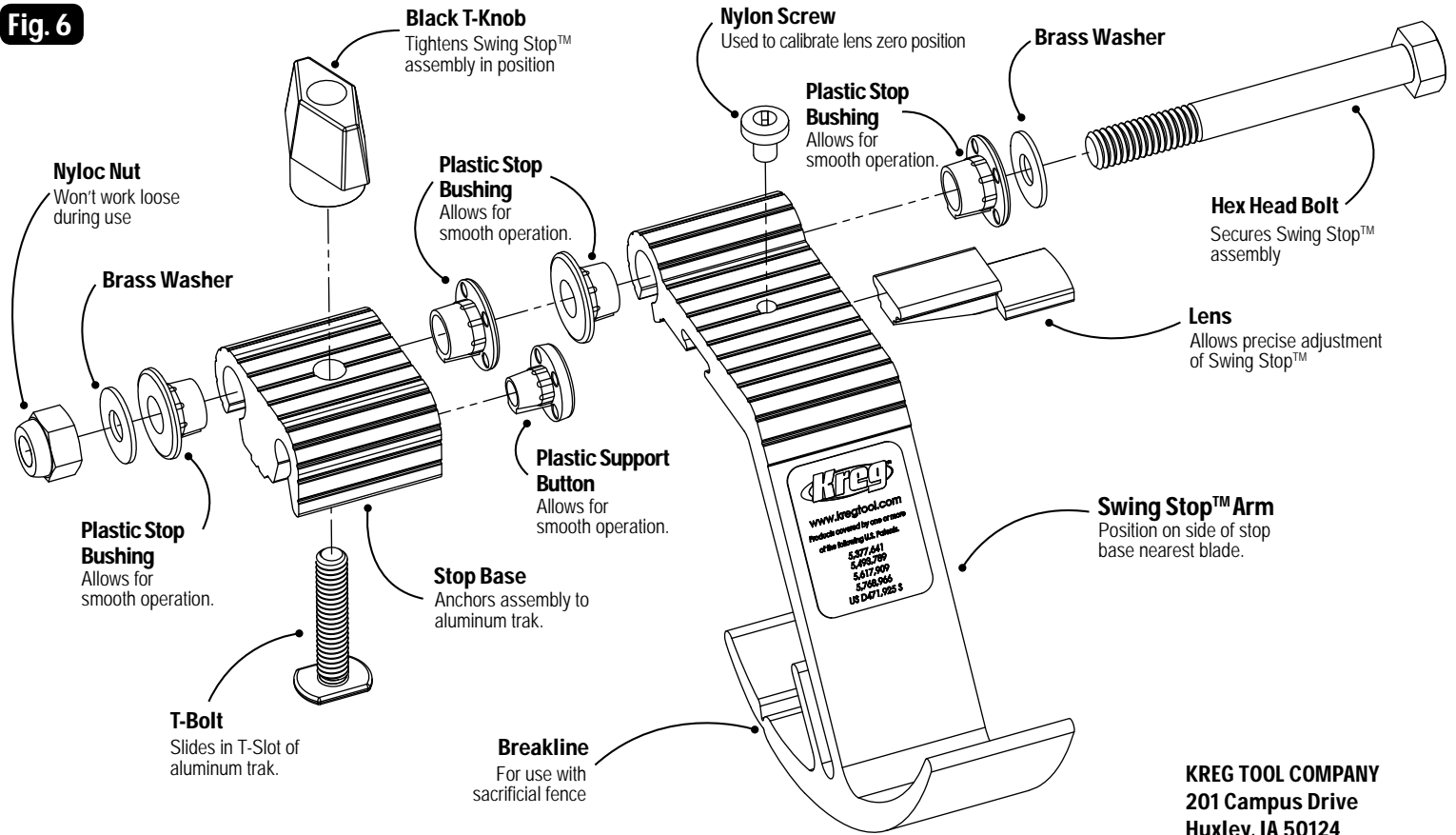
Attaching Accessories

The Swing Stop™ has a "finger" which is just behind, and parallel to, the Stop Arm. The space between the Stop Arm and "finger" will accept a 1/4-20 bolt for attaching accessories such as the Miter Attachment (KMS7831); as shown in Figure 5.



Assembly Instructions

Fig. 6



KREG TOOL COMPANY
201 Campus Drive
Huxley, IA 50124

(*Make sure the Swing Stop™ Arm is on the same side of the Stop Base as the saw blade, drill bit or router bit.)

Swing Stop™ Parts Identification

Name	Dimensions	Qty	Part#
Swing Stop™ Arm		1	FT4261
Lens		1	FT4063
Nyloc Nut	5/16" - 24	1	FT4061
Brass Washer	5/16"	2	FT4137
Nylon Screw	10-32 x 1/4"	1	FT4064
Black T-Knob		1	DK1313

Name	Dimensions	Qty	Part#
Hex Head Bolt	5/16" - 24 x 3 - 1/4"	1	FT4060
Stop Base		1	FT4262
T-Bolt	1/4" - 20 x 1-1/4"	1	FT4212
Plastic Stop Bushing		4	FT4257
Plastic Support Button		1	FT4258

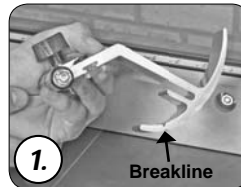
About the Swing Stop™ Breakline

The design of the Swing Stop™ will allow it to work with the addition of a sacrificial board attached to the fence of our Miter Gauge. Sacrificial boards afford a renewable surface to support the workpiece, resulting in a smooth crosscut that minimizes tear-out.

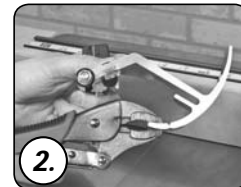
The sacrificial board can be constructed from any material you choose. The board must be 3/4" in thickness and may not exceed 2-5/8" in height. Choose a length that best suits your application. Attach the board to the Miter Gauge Fence with 1/4" diameter, 3/4" long bolts and nuts. Drill 3-4 holes, with counter-bores, large enough to facilitate the bolt, nut, and washer. Using this arrangement, the sacrificial board may be moved along the fence independently of the measuring tape attached to the fence. This eliminates the need to recalibrate the measuring system each time you want to renew the backing surface.

The design of the Swing Stop™ makes it fully compatible with the addition of a sacrificial board to the aluminum fence. A groove (breakline) has been incorporated into the base of the Swing Stop™ Arm. This breakline has been added to provide a simple means to shorten this portion of the Swing Stop™, for use with a sacrificial board. If you intend on using a sacrificial board, remove the breakaway section of the stop, as shown below. We suggest using a file or sandpaper to smooth the rough edge of the Swing Stop™ after breaking it away.

3 Simple Steps



First, hold the Swing Stop™ firmly in your hand. You may also use a vice.



Second, use a pliers to grip the break-away portion of the Swing Stop™ and simply "snap" that piece off.



Third, file or sand off the rough edge of the Swing Stop™.

WARNING!

Once the Swing Stop™ has been altered, it can only be used with a sacrificial fence on the Miter Gauge. It will not work correctly if used without a sacrificial fence.