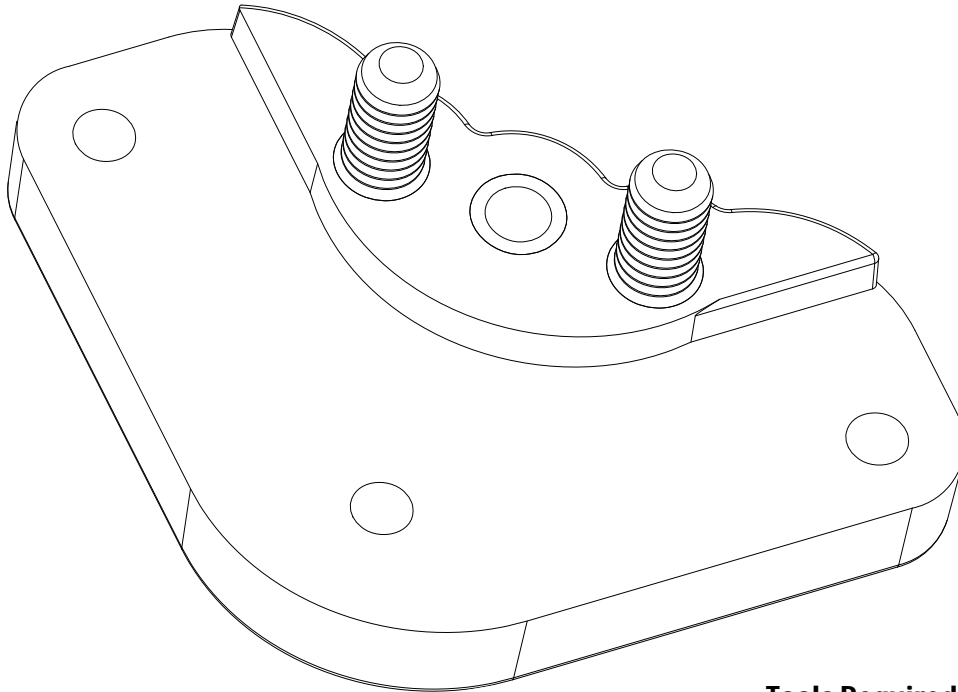




**Precision**  
***Insert Plate Levelers***

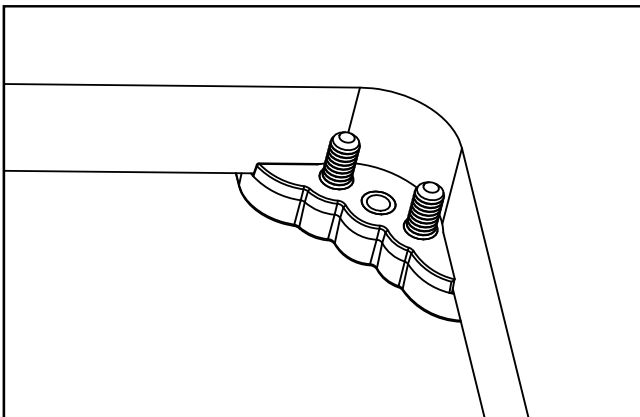
**ASSEMBLY INSTRUCTIONS**

Item# PRS3040



**Tools Required:**

- 1/8" Allen Wrench (Included)
- #2 Square Drive (Included)



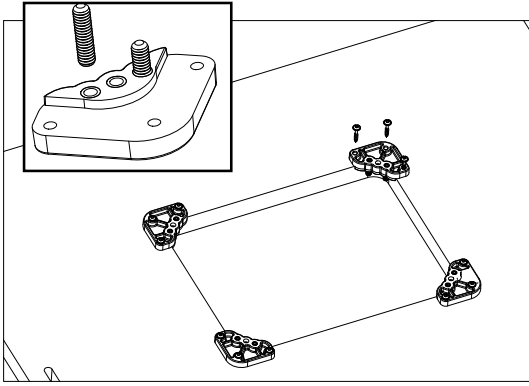
**Before you start...**

These instructions were intended for use with the Kreg Precision Router Table Insert Plate. Depending on your setup and choice of Insert Plate, you may need to make adjustments as necessary. If you are not using a Kreg Precision Router Table Insert Plate, please reference your Insert Plate's instructions as necessary.

These levelers are designed to help you mount an insert plate into your shop-built router table top. Unlike the majority of levelers on the market, this product works by attaching directly to the bottom of your router table top, eliminating the need for a supporting rabbet. A hole cut straight through the table-top, sized exactly to the dimension of your router table insert plate is all that is needed to use these levelers.

# Precision Insert Plate Leveler Instructions

## Step 1: Mounting the Insert Plate Levelers to the Table Top

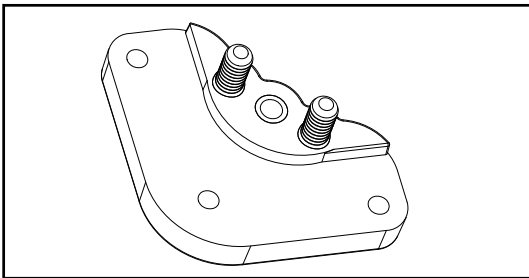


These unique levelers are self-aligning for easy installation. Use the curved tab on the Insert Plate Levelers to locate each Leveler in the corner of the Insert Plate opening and fasten them in to place using three 1-1/4" coarse thread screws per leveler. Be careful not to overtighten.

Thread the eight 1/4-20 x 1-1/2" cup point socket set screws into the two holes as shown, and thread about half way in

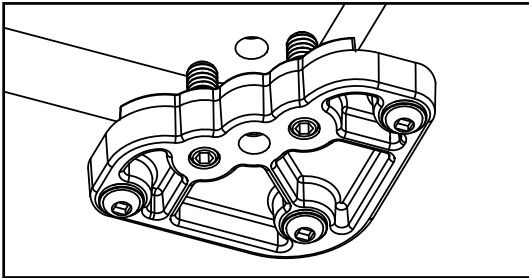
**Note:** *The 1 1/4" course thread screws included are meant to be used on router table tops with a minimum thickness of 1". Depending on your setup, you may find it necessary to purchase your own hardware to reduce the possibility of the screws penetrating the surface of the router table top or not providing enough hold-strength.*

## Step 2: Leveling the Insert Plate

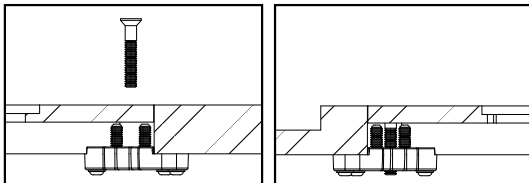


The unique design of the Precision Insert Plate Levelers and adjustable leveling screw system applies pressure to both sides of the insert plate so that – once locked in – your Insert Plate stays flush regardless of the weight applied. The 8 Leveling Screws and 4 Lock-Down screws work together to keep your insert plate flush with the router table surface at all times.

Set the eight 1/4-20 x 1-1/2" Set Screws to approximately the same height and lay the insert plate into the opening with the router already attached. The insert plate should be resting on the eight adjustable set screws. Using the 1/8" Allen Wrench (included), adjust the set screws from the bottom side of the Insert Plate, being careful to adjust each screw the same distance as the other. Adjust the plate as close as possible to flush with the surface of the router table top and run your finger along the perimeter of the insert plate to check that all edges are flush with the router table top.



If you are using a Kreg Precision Router Table Insert Plate, Thread the four 1/4-20 x 1-3/4" Phillips Flat Head Machine Screw (Lock-Down Screws) through the countersunk holes into the center hole on each leveler and snug down. Run your finger along the perimeter of the insert plate again to check that all edges are flush with the router table top and adjust each set screw as needed to bring each side of the insert plate flush with the surface of the router table top.



## Other Precision Routing Products



Item# PRS3010

### True-FLEX™ Featherboard

This unique featherboard can be quickly and easily connected to almost any miter slot or t-slot without the need for additional hardware. It features a durable plastic composite body which ensures optimum workpiece pressure.



Item# PRS1010

### Precision Router Table Fence

This is the only fence on the market that utilizes t-square style design that allows for fast and easy positioning of the fence and a cam style lock down which keeps it perfectly parallel to the miter slot at all times.