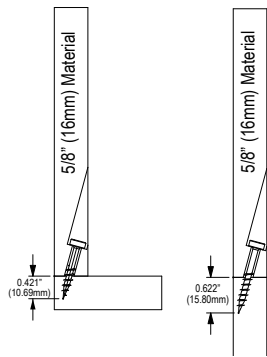


Selecting the Correct Screw

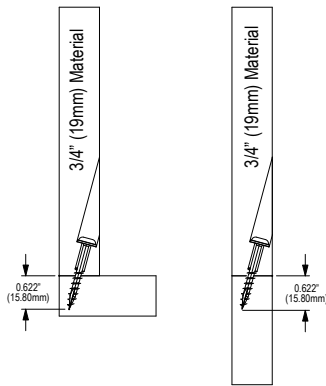


The charts below help to select the correct screw type when joining like thicknesses of wood (ie. 3/4" (19mm) to 3/4" (19mm) material) in both a frame and right angle application. This chart assumes that you are using the setting of the jig that corresponds to the material thickness you are drilling, and that you are using the standard drill bit depth collar settings. These are simply standard guidelines for screw penetration. We always recommend that you test your desired joint in scrap material before drilling and assembling the final joint.

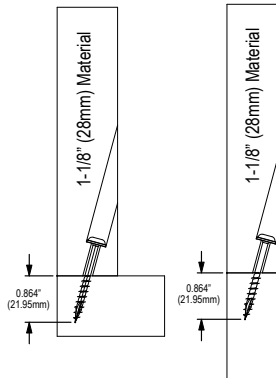
Material - Joining 5/8" (16mm) to 5/8" (16mm)
Recommended screw length - 1" (25mm) or 1-1/4" (32mm)



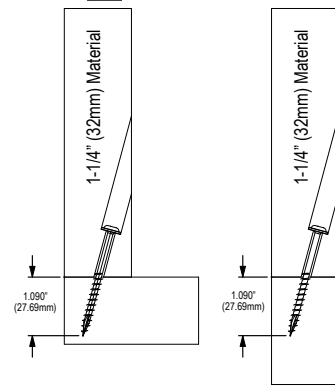
Material - Joining 3/4" (19mm) to 3/4" (19mm)
Recommended screw length - 1-1/4" (32mm)



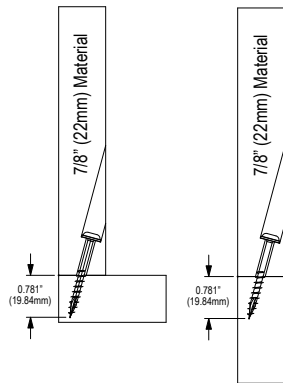
Material - Joining 1-1/8" (28mm) to 1-1/8" (28mm)
Recommended screw length - 1-1/2" (38mm)



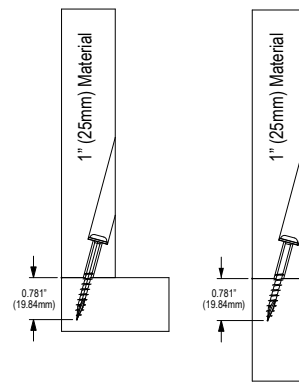
Material - Joining 1-1/4" (32mm) to 1-1/4" (32mm)
Recommended screw length - 2" (51mm)



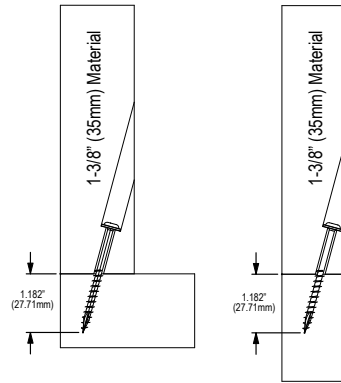
Material - Joining 7/8" (22mm) to 7/8" (22mm)
Recommended screw length - 1-1/2" (38mm)



Material - Joining 1" (25mm) to 1" (25mm)
Recommended screw length - 1-1/2" (38mm)



Material - Joining 1-3/8" (35mm) to 1-3/8" (35mm)
Recommended screw length - 2" (51mm)



Material - Joining 1-1/2" (38mm) to 1-1/2" (38mm)
Recommended screw length - 2-1/2" (63mm)

